



6/8/10 INCH GLOBAL COMPACT TURNING CENTER

Lynx

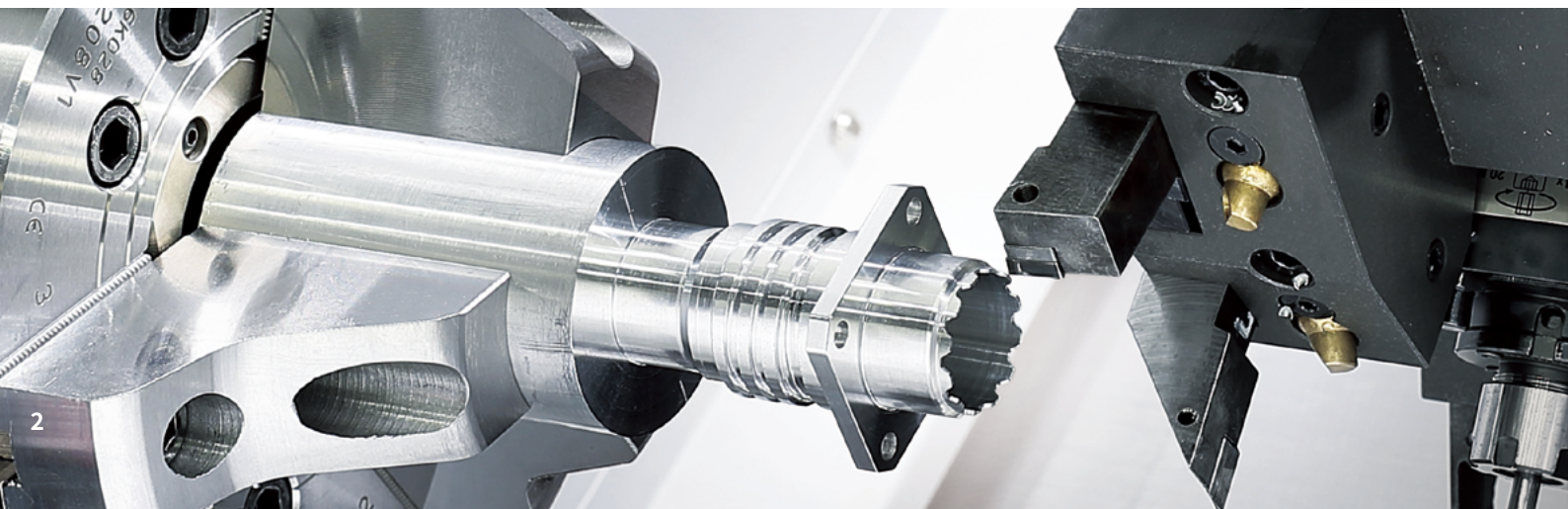
2100/M · 2100L/LM/LMS · 2600/M



DN SOLUTIONS

Lynx 2100 · 2600 SERIES

The Lynx 2100 Series the next generation of the Lynx Series, currently with more than 25000 sales worldwide aims to deliver even greater customer satisfaction with its superior machining performance, reliability, and user convenience.





SUPERIOR MACHINING PERFORMANCE

Equipped with a 18.5kW high-power motor and machine structure, and further enhanced spindle and axis ball screw stiffness, the Lynx 2100/2600 series offers excellent cutting capability up to maximum turning diameter of $\text{Ø}460\text{mm}$ and a maximum turning length of 658mm

HIGH RELIABILITY

The Series' excellent reliability is based on the adoption of a wider support structure, more stable bed, low vibration/noise spindle, servo-driven turret, and a full slideway cover for preventing coolant leaks and chips from penetrating the machine.

IMPROVED USER CONVENIENCE

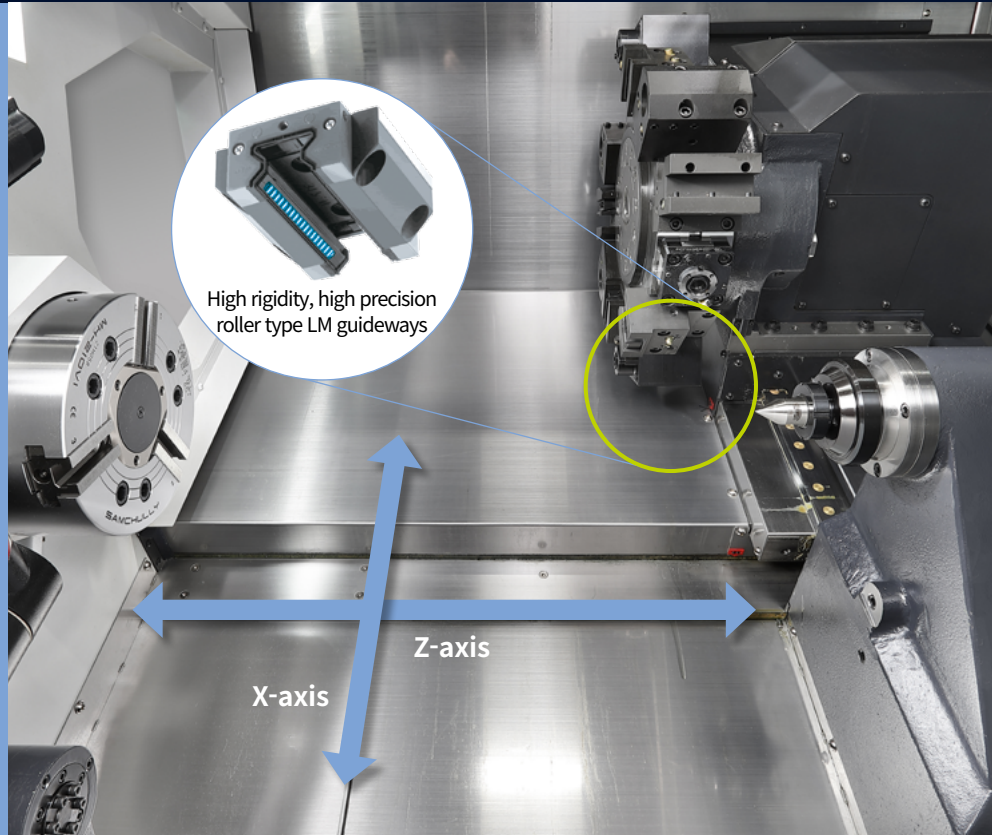
The CNC tailstock as standard and EZ work enable the user to operate peripheral devices quickly and conveniently. Adoption of grease type lubrication offers the users the convenience and low cost.

BASIC STRUCTURE

The Lynx 2100/2600 series includes a wider support structure for X, Z axes and tailstock traverse. The X and Z axes are fitted with highly rigid roller-type LM Guideways.

Chuck size	Model	Travel distance (mm(inch))		Rapid traverse (m/min(ipm))		Fructions		
		Size	Z-axis	X-axis	Z-axis	2-axis	M	MS
6 inch	Lynx 2100A /MA	205 (8.1)	340 (13.4)	30 (1.2)	36 (1.4)	○	○	-
	Lynx 2100LA /LMA/LMSA	205 (8.1)	560 (22.0)	30 (1.2)	36 (1.4)	○	○	○
8 inch	Lynx 2100B /MB	205 (8.1)	340 (13.4)	30 (1.2)	36 (1.4)	○	○	-
	Lynx 2100LB /LMB/LMSB	205 (8.1)	560 (22.0)	30 (1.2)	36 (1.4)	○	○	○
10 inch	Lynx 2100LC /LMC/LSMC	255 (10.0)	560 (22.0)	30 (1.2)	36 (1.4)	○	○	○
	Lynx 2600/M	255 (10.0)	680 (26.8)	30 (1.2)	30 (1.2)	○	○	-

* M : 2-axis + Milling / MS : Milling + Sub spindle



LARGEST MACHINING AREA

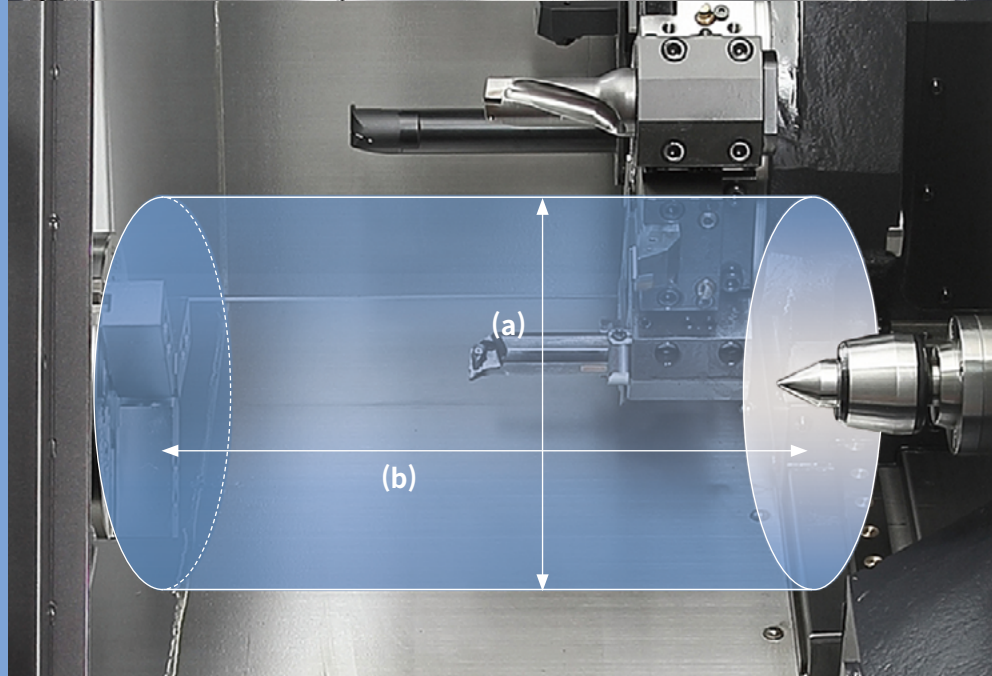
The Series also offers the largest machining area window in its class, with a max. turning diameter of Ø460 mm (Ø8.1 inch) and a max. turning length of 658 mm (25.9 inch).

Max. turning diameter

Lynx 2600
Ø460 mm 18.1 inch

Max. turning length

Lynx 2600
Ø658 mm 25.9 inch



Function	Models	unit	Max. turning dia.	Max. turning length
2-axis	Lynx 2100A / B	mm (inch)	Ø350 (Ø13.8)	330 (13.0)
	Lynx 2100LA / LB		Ø350 (Ø13.8)	550 (21.7)
	Lynx 2100LC		Ø350 (Ø13.8)	537 (13.0)
	Lynx 2600		Ø460 (Ø18.1)	658 (25.9)
M / MS type	Lynx 2100MA / MB		Ø300 (Ø11.8)	290 (11.4)
	Lynx 2100LMA / LMB		Ø300 (Ø11.8)	510 (20.1)
	Lynx 2100LMSA / LMSB		Ø300 (Ø11.8)	510 (20.1)
	Lynx 2100LMC/LMSC		Ø300 (Ø11.8)	497 (19.6)
	Lynx 2600M	Ø380 (Ø15.0)	610 (24.0)	

SPINDLE

The high power / torque motor supports highprecision and heavyduty cutting, improving productivity.

Max. spindle speed

Lynx 2100A / LA / MA / LMA / LMSA

6000 r/min

Max. spindle torque

Lynx 2600/M

403 N.m 97.4 ft-lbs

Max. Bar working dia.

Lynx 2600/M

Ø81 mm 3.2 inch



Chuck size	Models	Spindle speed r/min	Max.power (15min/cont.) kW (Hp)	Max torque N · m (ft-lbs)	Bar working dia. mm
6 inch	Lynx 2100A / LA / MA / LMA / LMSA	6000	15/11 (20.1/14.7)	127 (93.7)	Ø51(Ø2.1)
8 inch	Lynx 2100B / LB / MB / LMB / LMSB	4500	15/11 (20.1/14.7)	169 (124.7)	Ø65 (Ø2.6)
10 inch	Lynx 2100LC / LMC / LMSC	3500	18.5/15 (24.8/20.1)	269 (198.5)	Ø81 (Ø3.2)
	Lynx 2600 / M	3500	18.5/15 (24.8/20.1)	403 (297.4)	Ø81 (Ø3.2)

SUB-SPINDLE

The sub-spindle function enables rear-side cutting by a single setup, thereby maximizing the user's productivity and efficiency. Full C axis 0.001 degree control is included to optimize capability.

Max. spindle speed

6000 r/min

Max. spindle torque

5.5 / 3.7 kW

7.4/5.0 Hp

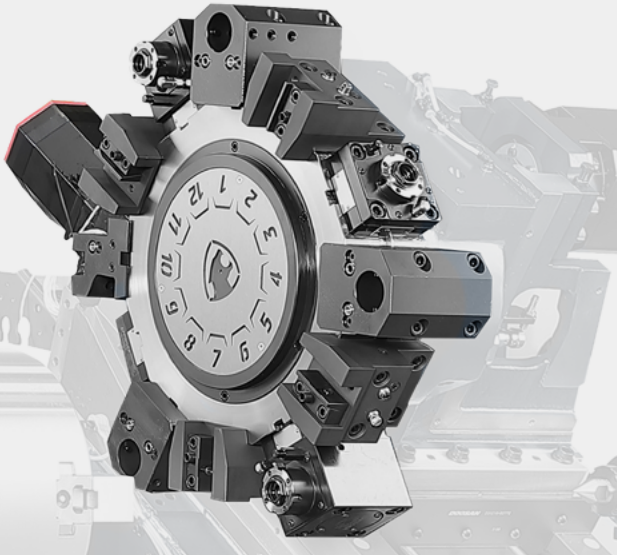
Models	chuck size	Spindle speed r/min	Max. power (15min/ cont.) kW (Hp)	Max torque N · m (ft-lbs)
Lynx 2100LMSA / LMSB / LMSC	5 inch	6000	5.5/3.7 (7.4 / 5.0)	47 (34.7)



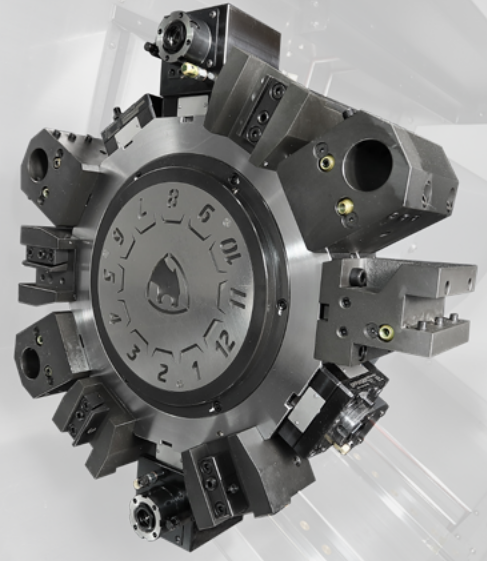
TURRET

Rotation of the turret is controlled by servo motor for rapid and accurate selection of tools. The M model is fitted with DN Solutions's unique BMT55P turret to provide superior performance for milling operations.

2-axis



BMT55P



No. of tool positions

Lynx 2100A/LA/B/LB/LC

12 st. {10 st. OPTION}

Lynx 2600

10 st. {12 st. OPTION}

No. of tool positions

Lynx 2100MA/LMA/MB/LMB/LMC

BMT 45P 12 st.
{24 st. OPTION}

Lynx 2600M

BMT 55P 12 st.

TAILSTOCK

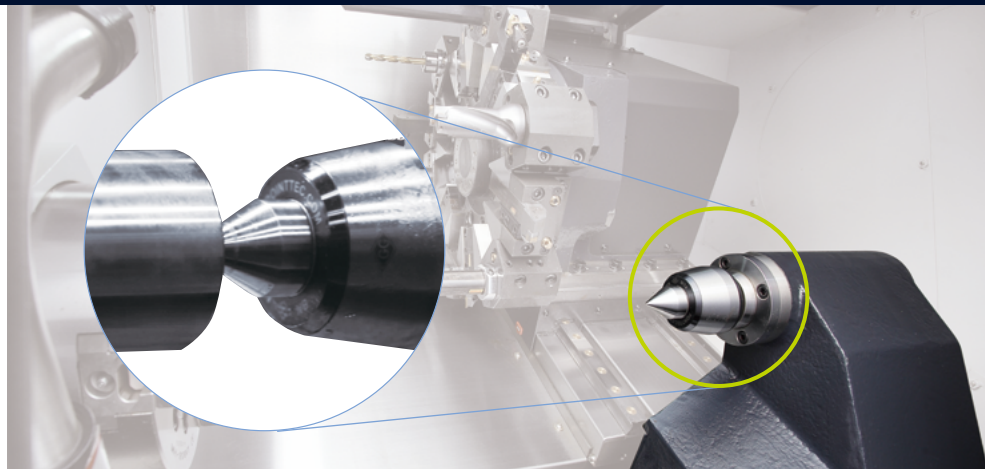
Adoption of the hydraulically actuated CNC tailstock (hydraulic type) enables tailstock positioning and work setting to be achieved using the operation panel. The dedicated screen reduces work setting times by about 50%.

CNC Tailstock (Hydraulic Type)

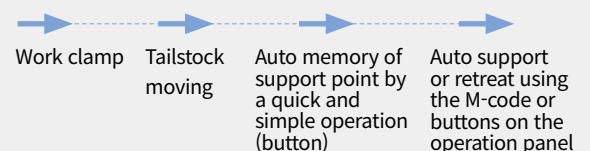
Setting time reduced by

50% ↓

Models	Tail stock travel mm (inch)	Std. / Opt.
Lynx 2100A / B / MA / MB	360	<small>OPTION</small>
Lynx 2100LA / LB / LC / LMA / LMB / LMC	580	Std.
Lynx 2600 / M	700	Std.



The EZ work System enables fast and easy tailstock positioning and control.




STANDARD | OPTIONAL SPECIFICATIONS

A range of options is available to suit individual requirements.

Description	Features	Lynx 2100A/LA	Lynx 2100B/LB	Lynx 2100LC	Lynx 2600	Lynx 2100MA/LMA/LMSA	Lynx 2100MB/LMB/LMSB	Lynx 2100LMC/LMSC	Lynx 2600M
Chuck	6 inch	●	X	X	X	●	X	X	X
	8 inch	○	●	X	X	○	●	X	X
	10 inch	X	○	●	●	X	○	●	●
	12 inch	X	X	X	○	X	X	X	○
	No chuck	○	○	○	○	○	○	○	○
Jaw	Soft Jaw	●	●	●	●	●	●	●	●
	Hard Jaw	○	○	○	○	○	○	○	○
Chucking option	DUAL PRESSURE CHUCKING	○	○	○	○	○	○	○	○
	CHUCK CLAMP CONFIRMATION	●	●	●	●	●	●	●	●
Turret	Rotary tool_6000r/min	X	X	X	X	●	●	●	●
	Rotary tool_10000r/min	X	X	X	X	○	○	○	○
Coolant pump	1.5 bar	●	●	●	●	●	●	●	●
	4.5 bar	○	○	○	○	○	○	○	○
	7 bar	○	○	○	○	○	○	○	○
	10 bar	○	○	○	○	○	○	○	○
	14.5 bar	○	○	○	○	○	○	○	○
Chip disposal options	4.5 bar	○	○	○	○	○	○	○	○
Coolant options	Oil skimmer	○	○	○	○	○	○	○	○
	Coolant chiller	○	○	○	○	○	○	○	○
	Coolant pressure switch	○	○	○	○	○	○	○	○
	Coolant level switch : Sensing level - Empty / Low / Enough / Full	●	●	●	○	●	●	●	○
Chip bucket	Folklift 110L (for auger conveyor)	○	○	○	X	○	○	○	X
	Folklift 200L (for auger conveyor)	○	○	○	X	○	○	○	X
	Folklift 220L	○	○	○	○	○	○	○	○
	Folklift 300L	○	○	○	○	○	○	○	○
	Folklift 380L	○	○	○	○	○	○	○	○
	Rotation 220L	○	○	○	○	○	○	○	○
	Rotation 300L	○	○	○	○	○	○	○	○
Rotation 380L	○	○	○	○	○	○	○	○	
Chip processing options	Air blower	○	○	○	○	○	○	○	○
	Chuck coolant	○	○	○	○	○	○	○	○
	Coolant gun	○	○	○	○	○	○	○	○
	Mist collector ready	○	○	○	○	○	○	○	○
Side type chip conveyor	Hinged belt	○	○	○	○	○	○	○	○
	Magnetic scrapper	○	○	○	○	○	○	○	○
	Screw (auger)	○	○	○	X	○	○	○	X
Rear type chip conveyor	Hinged belt	○	○	○	○	○	○	○	○
	Magnetic scrapper	○	○	○	○	○	○	○	○
	Screw (auger)	○	○	○	X	○	○	○	X
Measurement & Automation	Bar feeder system	○	○	○	○	○	○	○	○
	Auto door	○	○	○	○	○	○	○	○
	Tool setter (Manual)	○	○	○	○	○	○	○	○
	Tool setter (Auto)	○	○	○	○	○	○	○	○
Standard devices	Parts catcher and box	○	○	○	○	○	○	○	○
	Parts catcher and conveyor	○	○	○	○	○	○	○	○
	Front door interlock	●	●	●	●	●	●	●	●
	Manual book	●	●	●	●	●	●	●	●
	Installation parts	●	●	●	●	●	●	●	●
	Safety sticker	●	●	●	●	●	●	●	●
	Work light	●	●	●	●	●	●	●	●
Optional devices	Foot switch	●	●	●	●	●	●	●	●
	Tool monitoring system	●	●	●	●	●	●	●	●
	Signal tower	○	○	○	○	○	○	○	○
	Air gun	○	○	○	○	○	○	○	○
	Auto power off	○	○	○	○	○	○	○	○
Customized Special	Quick change tooling(CAPTO)	○	○	○	○	○	○	○	○
	Sketch-turn S/W	○	○	○	○	○	○	○	○
	AUTOMATIC TOP DOOR	○	○	○	○	○ / ○ / X	○ / ○ / X	○ / X	○
	SHOWER COOLANT	○	○	○	○	○	○	○	○
	DUAL PRESSURE COOLANT FOR MAIN TURRET	○	○	○	○	○	○	○	○
	AUTO. WORK MEASUREMENT_ OLP40_ RENISHAW	○	○	○	○	○	○	○	○
	TSC FOR MAIN/LEFT SPINDLE_ PREPARATION	○	○	○	○	○	○	○	○
MILLING TOOL HOLDER_ UNIVERSAL	X	X	X	X	○	○	○	○	

Please contact your DN Solutions representative for detailed machine information.

● Standard ○ Optional X N/A

 Fire Safety Precautions | There is a high risk of fire when using non-water-soluble cutting fluids, processing flammable materials, neglecting the controlled and careful use of coolants and modifying the machine without the consent of the manufacturer. Always check the SAFETY GUIDELINES carefully before using the machine.

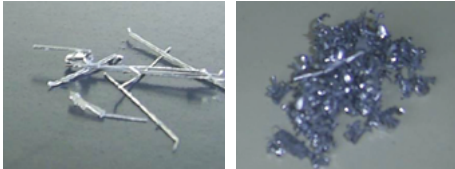
PERIPHERAL EQUIPMENT

Chip conveyor OPTION



Long

Short



Needle

Sludge

Hinged belt type*

Most common type of chip conveyor. Appropriate for steel materials generating chips over 30mm.

Drum filter type**

Chip conveyor with a magnet. Appropriate for machining cast iron and the generation of fine chips.

Chip conveyor type	Material	Carbon steel)			Cast iron		Aluminium		
		Long	Short	Needle	Short	Sludge	Long	Short	Needle
Hinged belt type*		○	△	X	△	X	○	△	X
Scraper type	Normal	X	○	△	○	△	X	△	X
	Magnetic	X	○	○	○	○	-	-	-
Drum filter type**	Hinged type	○	△	X	△	X	○	△	X
	Scraper	X	○	△	○	△	X	○	△

○ : Suitable, △ : Possible, * : Not suitable

Grease lubrication system

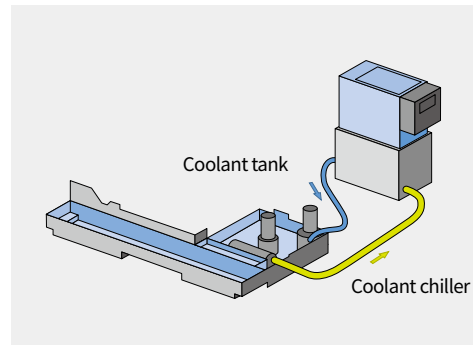
Yearly maintenance cost

MAX. 80% ↓



The standard grease lubrication system eliminates the need for an oil skimmer and reduces lubrication costs by about 80% compared to oil lubrication.

Coolant chiller (recommended) OPTION



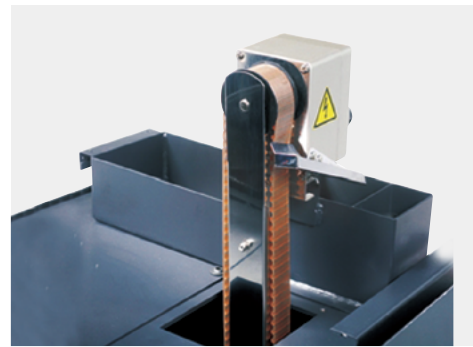
A coolant chiller is recommended to help prevent temperature rises and to reduce thermal deformation when using a water-insoluble coolant or high-pressure coolant system (i.e., power over 1.5kW).

Quick change CAPTO OPTION



The Quick Change Tool system simplifies tool change operation. Recommended for users who need to change tools frequently or reduce the set-up time.

Oil skimmer OPTION



As the Lynx 2100/2600 Series uses a grease type lubricant, the coolant rarely mixes with oil. This optional oil skimmer helps to maintain the exceptional service life of the coolant.

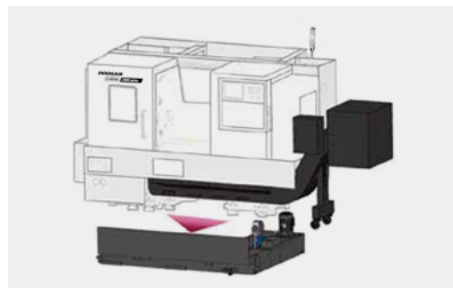
Part catcher OPTION

The Part Catcher automatically catches finished parts and transfers them securely to downstream processes.



Easy-to-clean coolant tank

The coolant tank can be isolated without removing the chip conveyor, significantly enhancing the operator's convenience and overall efficiency.



Tool setter (Manual /Auto) OPTION

The tool setter facilitates the setting of cutting tools, and can be used to automatically detect and compensate for worn tools.



DN SOLUTIONS FANUC i PLUS

DN Solutions Fanuc i Plus maximizes customer productivity and convenience.

15" Screen + New OP

DN Solutions Fanuc i Plus' operation panel enhances operating convenience by incorporating common-design buttons and layout. It features a Qwerty keyboard for fast and easy data input and operation.

DN Solutions Fanuc i Plus

- 15-inch color display
- Intuitive and user-friendly design

USB and PCMCIA card QWERTY keyboard

- EZ-Guide i standard
- Ergonomic operator panel
- 2MB Memory
- Hot keys



iHMI touchscreen

iHMI provides an intuitive interface that uses a touchscreen for quick and easy operation.

Range of applications

Providing various applications related to planning, machining, improvement and utility, for customer convenience.

SKETCH-TURN OPTION

DN Solutions Conversational programming software for PC

- Easy to learn for beginners
- Time savings in programming
- Reduce processing cycle time



NUMERIC CONTROL SPECIFICATIONS

FANUC

Division	Item	Specifications	2-Axis	M
			DN Solutions Fanuc i Plus	DN Solutions Fanuc i Plus
Controlled axis	Controlled axes		2(X,Z)	3(X,Z,C)
	Simultaneously controlled axes		2 axes	3 axes
Data input/output	Fast data server		○	○
	Memory card input/output		●	●
	USB memory input/output		●	●
	Larger capacity memory_2GB	Note *2) Available Option only with 15" Touch LCD (iHMI Only)	○*2)	○*2)
Interface function	Embedded Ethernet		●	●
	Fast Ethernet		○	○
	Enhanced Embedded Ethernet function		●	●
Operation	DNC operation	Included in RS232C interface.	●	●
	DNC operation with memory card		●	●
Program input	Workpiece coordinate system	G52 - G59	●	●
Feed function	AI contour control I	G5.1 Q_, 40 Blocks	○	○
	AI contour control II	G5.1 Q_, 200 Blocks	○	○
Operation Guidance Function	EZ Guidei (Conversational Programming Solution)		●	●
	iHMI with Machining Cycle	Note *1) Only with 15" Touch LCD standard	○*1)	○*1)
	EZ Operation package		●	●
Setting and display	CNC screen dual display function		●	●
Network	FANUC MTConnect		⊕	⊕
	FANUC OPC UA		⊕	⊕
Others	Display unit	15" color LCD	●	●
		15" color LCD with Touch Panel	○	○
	Part program storage size & Number of registerable programs	640M(256KB)_500 programs 5120M(2MB)_1000 programs	X ●	X ●

Network: FANUC MTConnect and FANUC OPC UA available.

● Standard ○ Optional * N/A ⊕ Available

CONVENIENT OPERATION

SIEMENS S828D

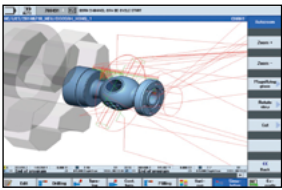
15.inch display + New OP

Siemens 828D' operation panel enhances operating convenience by incorporating common-design buttons and layout. It features a Qwerty keyboard for fast and easy data input and operation.

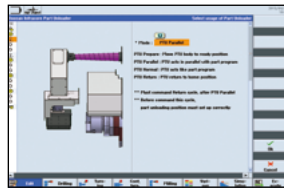
- 15.6 inch display
- USB (standard)
- QWERTY keyboard



Convenient conversational functionality

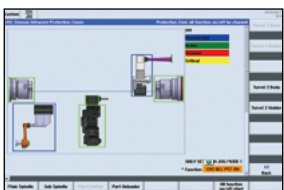


Cutting and operation support function
This function shows a cutting and tool path simulation in real-time.



Shop-turn mode
[various]
↓
[attachments]

The automation elements (parts catcher, parts unloader etc.), can be easily controlled via interactive screens.



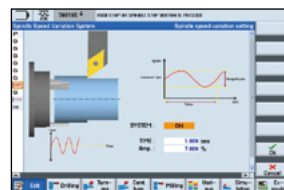
[Custom]
↓
[Protection zones]

Operation safety function
Protection Zone Synchronized Actions checks the interference between the turret and the spindle to prevent collisions caused by operator error.



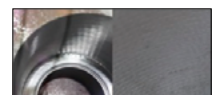
[offset]
↓
[operating parameter]
↓
[TC service]

Maintenance and service convenience function
Maintenance and service of major equipment and peripheral devices, including the timer and parts counter settings can be easily undertaken.

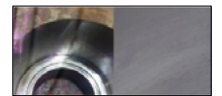


[various]
↓
[attachment]
↓
[DSSV]

Machining accuracy improvement
The NC controls the spindle speed at an optimal level for precision threading and turning, making it possible to automatically improve surface finishes.



Before applying the function



After applying the function

NUMERIC CONTROL SPECIFICATIONS

SIEMENS

Division	Item	Specifications	2-Axis	M	S	MS	Y	SY
			S828D	S828D	S828D	S828D	S828D	S828D
Controlled axis	Controlled axes		X,Z,C1	X,Z,C1,C2	X,Z,C1,C3,B	X,Z,C1,C2,C3,B	X,Z,C1,C2,Y	X,Z,C1,C2,Y,C3,B
	Simultaneously controlled axes		4 axes	4 axes	4 axes	4 axes	4 axes	4 axes
Data input/output	Memory card input/output		X	X	X	X	X	X
	USB memory input/output		●	●	●	●	●	●
Interface function	Ethernet (X130)		●	●	●	●	●	●
	On network drive (without EES option, Extcall)		○	○	○	○	○	○
Operation	On USB storage medium, e.g. memory stick	(without EES option, Extcall)	●	●	●	●	●	●
	Workpiece coordinate system	G54 - G59, G507 - G599	●	●	●	●	●	●
Feed function	Advanced surface		X	X	X	X	X	X
	Top surface		X	X	X	X	X	X
	Look ahead number of block		1	1	1	1	1	1
Programming & Editing function	3D simulation, finished part		●	●	●	●	●	●
	Simultaneous recording		●	●	●	●	●	●
	DXF Reader for PC integrated in SINUMERIK Operate		○	○	○	○	○	○
Operation Guidance Function	Shopturn		●	●	●	●	●	●
	Operation via a VNC viewer		●	●	●	●	●	●
Network	MTConnect		⊗	⊗	⊗	⊗	⊗	⊗
	OPCUA		○	○	○	○	○	○
Others	Display unit	15.6" color display with touch screen	●	●	●	●	●	●
		CNC user memory 10 MB	●	●	●	●	●	
		CNC user memory 100 MB	○	○	○	○	○	
		CNC user memory 6GB	X	X	X	X	X	
		CNC user memory 40GB (with PCU or IPC)	X	X	X	X	X	
		CNC user memory without limit(Execution from external storage devices)(EES / Using by USB or Network)	○	○	○	○	○	
		HMI user memory for CNC part program 6GB	X	X	X	X	X	

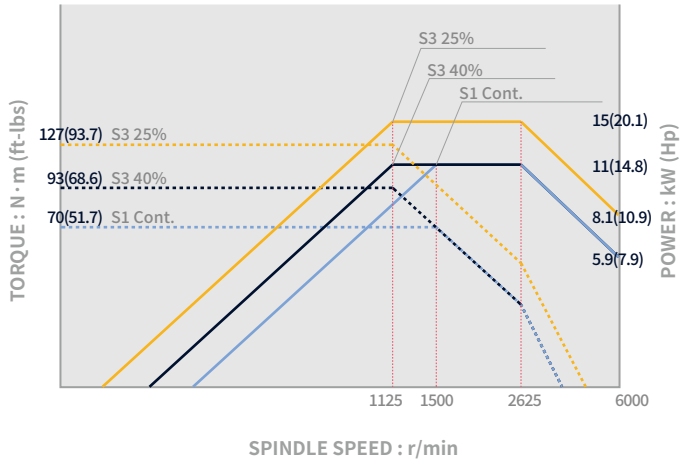
● Standard ○ Optional * N/A ⊗ Available

POWER | TORQUE

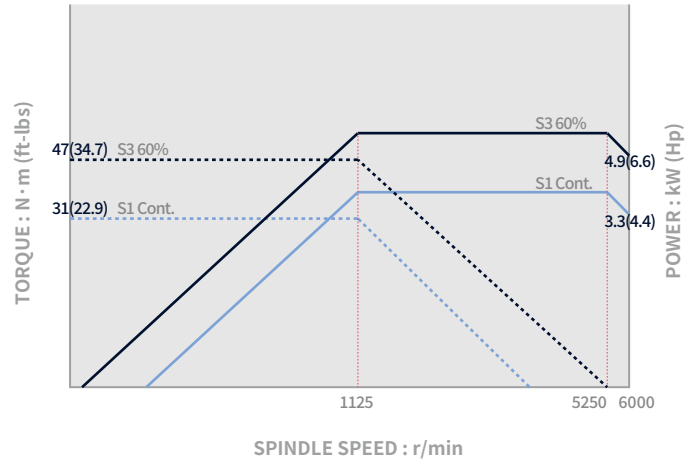
Lynx 2100 A/LA/MA/LMA/LMSA/B/LB/LMB/LMSB/LC/LMC/LMSC

FANUC

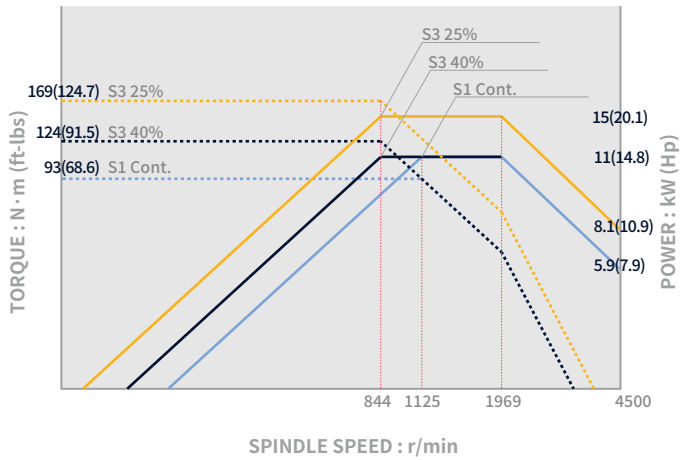
Main spindle_Lynx 2100A / LA / MA / LMA / LMSA



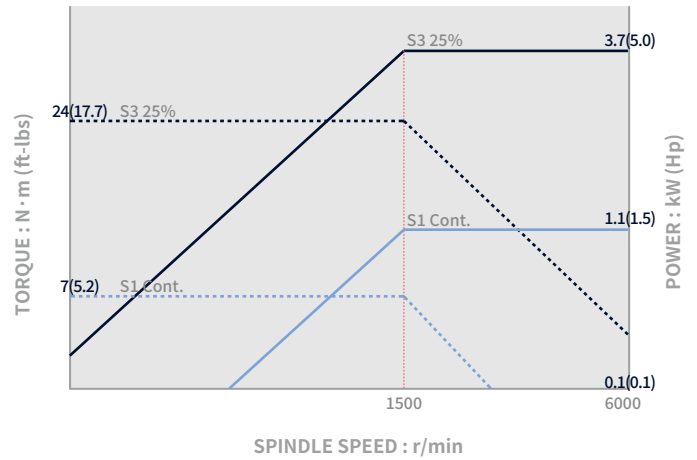
Main spindle_Lynx 2100LMSA / LMSB / LMSC



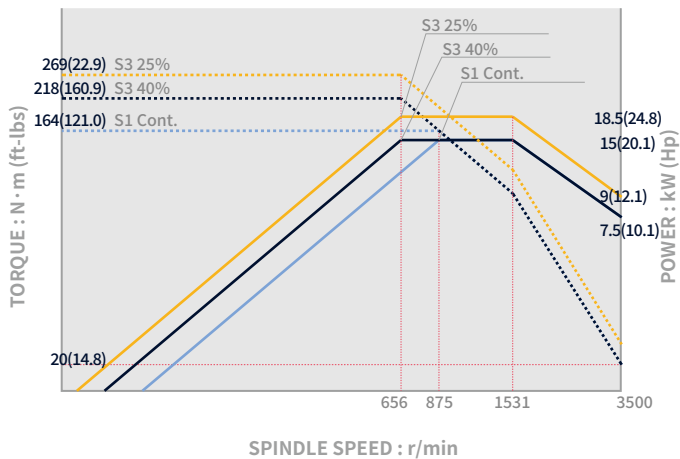
Main spindle_Lynx 2100B / LB / MB / LMB / LMSB



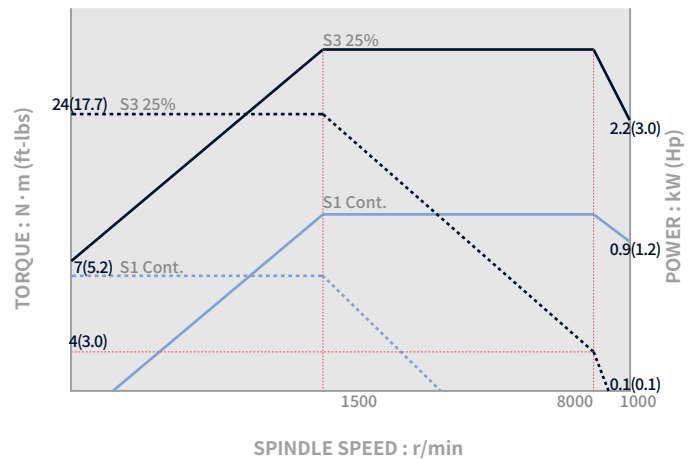
Rotary tool_Lynx 2100M / LM / LMS



Main spindle_Lynx 2100LC / LMC / LMSC



Rotary tool_Lynx 2100M / LM / LMS OPTION

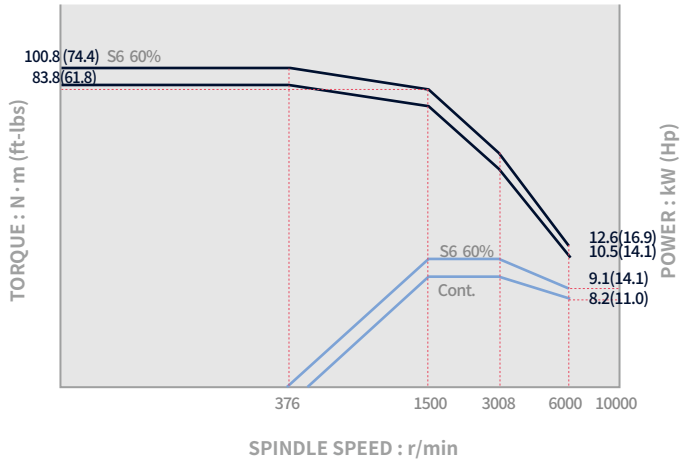


POWER | TORQUE

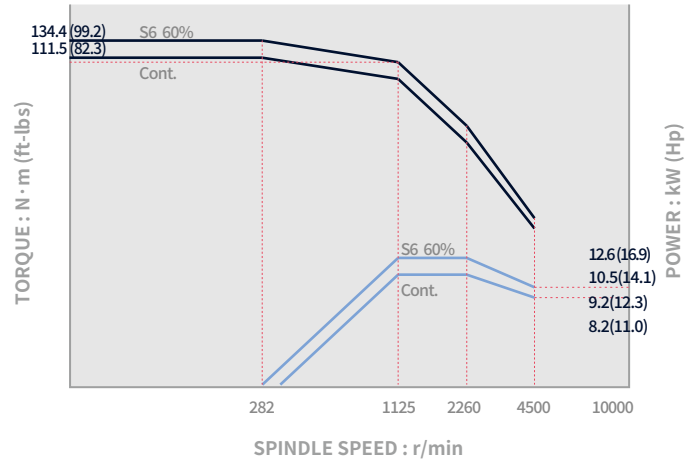
Lynx 2100 A/LA/MA/LMA/LMSA/B/LB/LMB/LMSB/LC/LMC/LMSC

SIEMENS

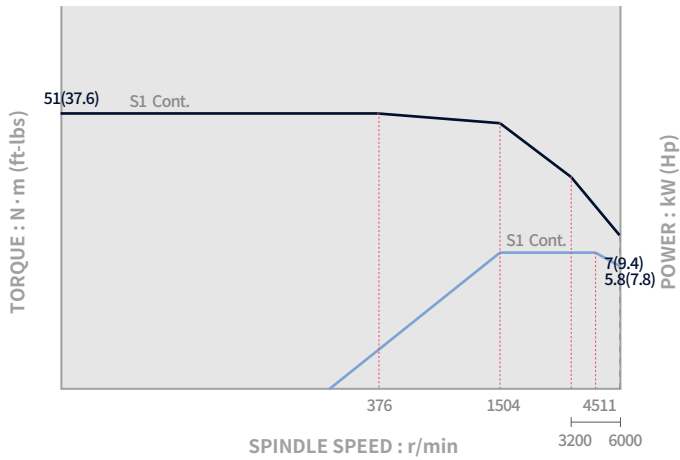
Main spindle_Lynx 2100A/LA/MA/LMA/LMSA



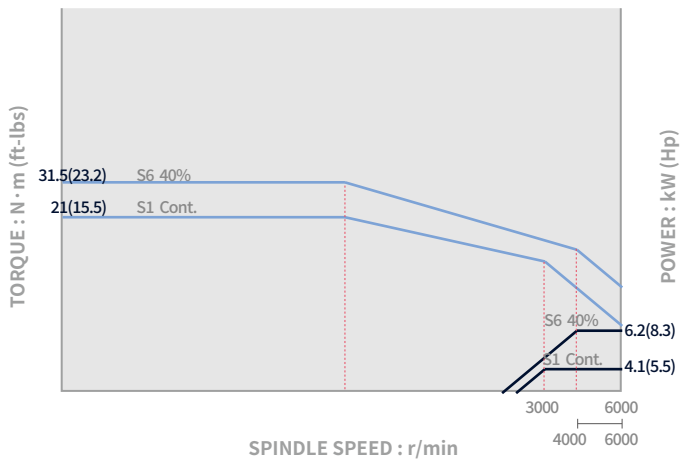
Main spindle_Lynx 2100B/LB/MB/LMB/LMSB



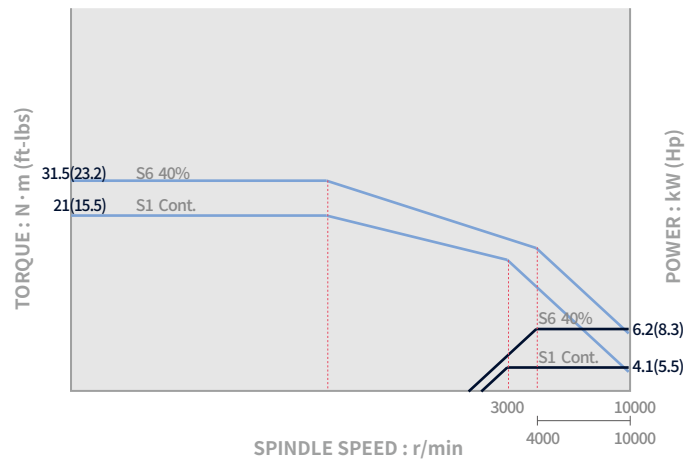
Sub spindle_Lynx 2100LMSA / LMSB



Rotary tool_Lynx 2100M / LM / LMS



Rotary tool_Lynx 2100M / LM / LMS OPTION

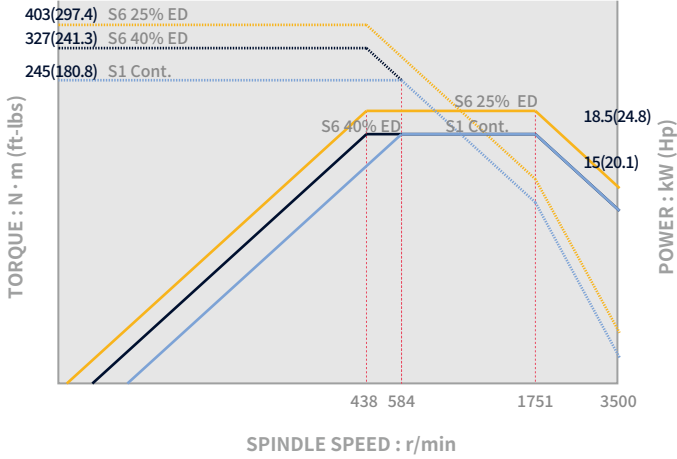


POWER | TORQUE

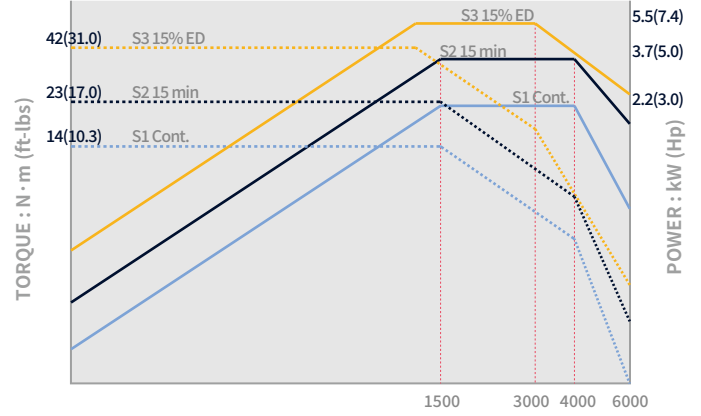
Lynx 2600/M

FANUC

Main spindle_ Lynx 2600/M

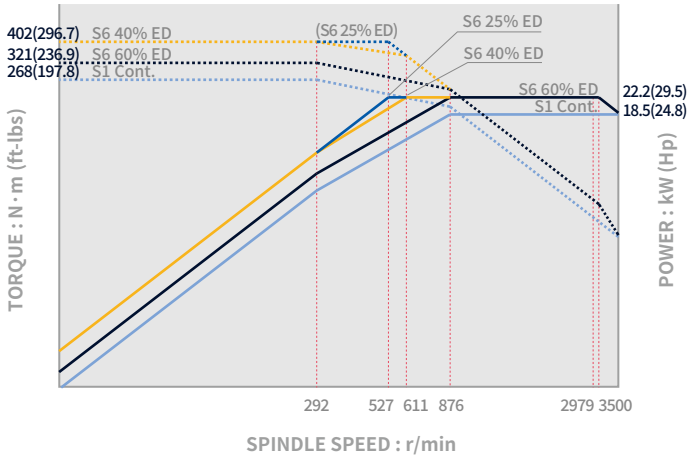


Rotary tool_ Lynx 2600M

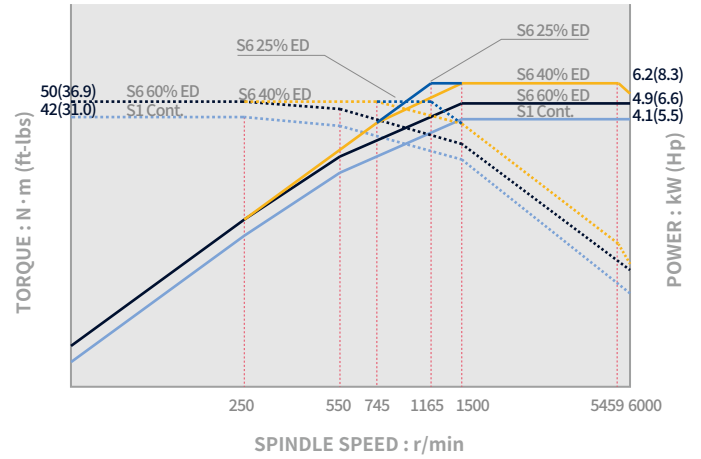


SIEMENS

Main spindle_ Lynx 2600/M

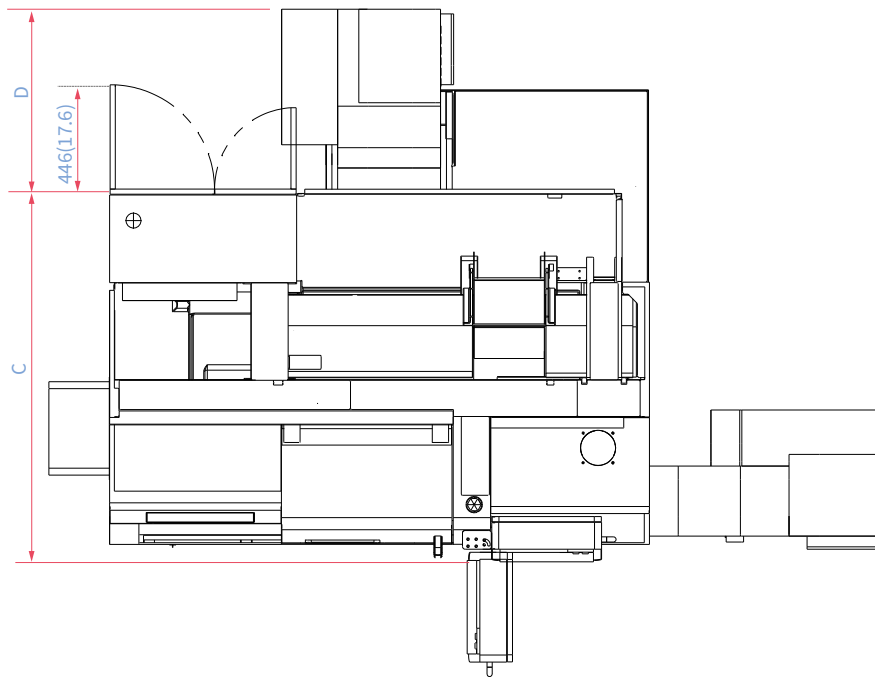


Rotary tool_ Lynx 2600M

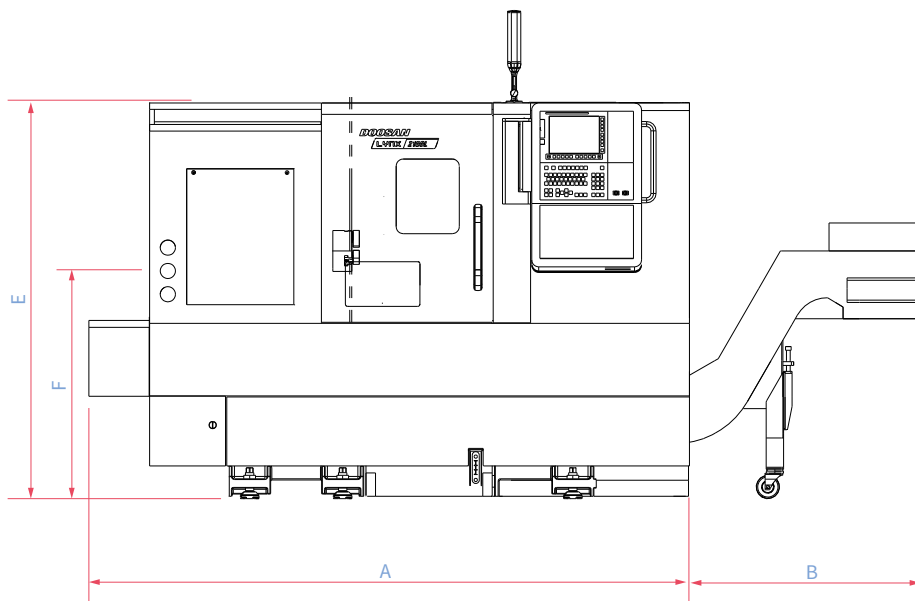


EXTERNAL DIMENSIONS

TOP



FRONT

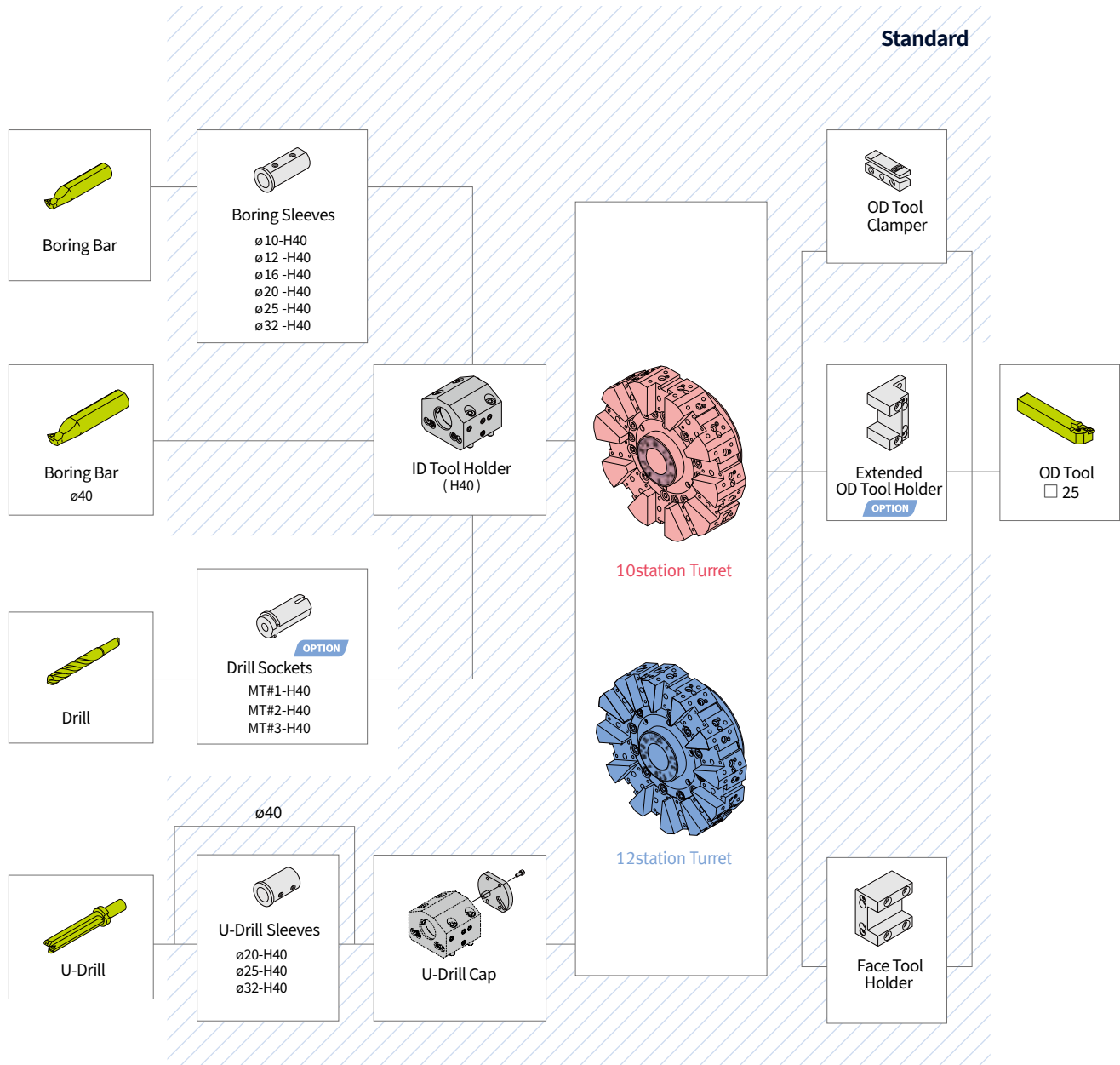


Model	A	B	C	D	E	F
		Side hinged chip conveyor		Rear hinged chip conveyor		Spindle center
Lynx 2100A / MA [B / MB]	2320 [2350] (91.3 [92.5])	953 (37.5)	1595 (62.8)	770 (30.3)	1693 (66.7)	1060 (41.7)
Lynx 2100LA / LMA [LB / LMB]	2540 [2570] (100.0 [101.2])	997 (39.3)	1595 (62.8)	770 (30.3)	1693 (66.7)	1070 (42.1)
Lynx 2100LC / LMC	2570 (101.2)	997 (39.3)	1602 (63.1)	770 (30.3)	1693 (66.7)	1060 (41.7)
Lynx 2100LMSA [LMSB]	2805 [2835] (110.4 [111.6])	997 (39.3)	1595 (62.8)	770 (30.3)	1693 (66.7)	1060 (41.7)
Lynx 2100LMSC	2837 (111.7)	993 (39.1)	1602 (63.1)	770 (30.3)	1693 (66.7)	1060 (41.7)
Lynx 2600/M	3290 (129.5)	928 (36.5)	1665 (65.6)	1177 (46.3)	1790 (70.5)	1060 (41.7)

TOOLING SYSTEM

Lynx 2100A / LA, Lynx 2100B / LB / LC (12 station)

Unit : mm(inch)

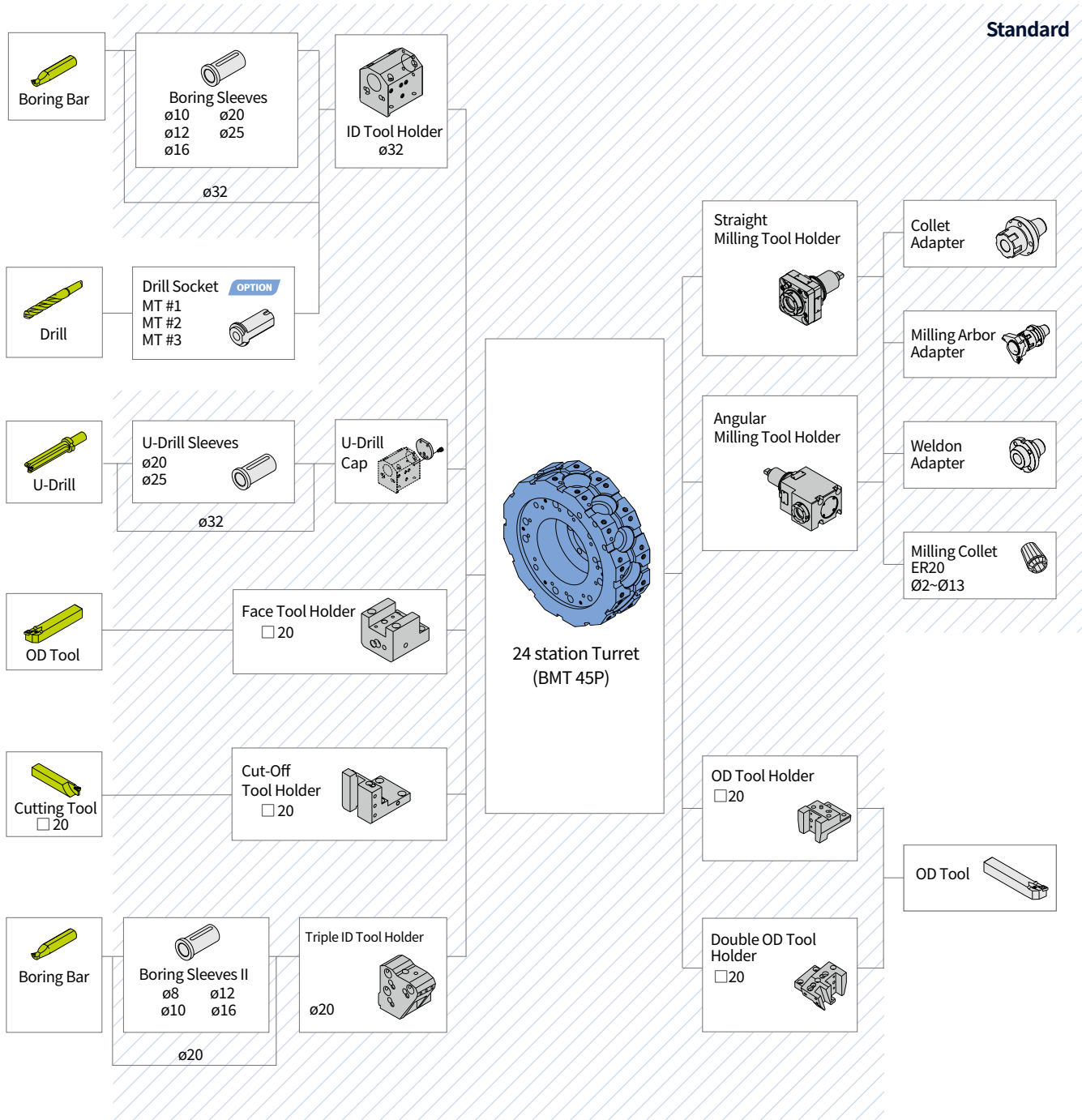


*Lynx 2100A / B / LA / LB / LC : 12st is STD .

TOOLING SYSTEM

Lynx 2100MA / MB / LMA / LMB / LMC (12 station(24 Position Index), BMT45P)

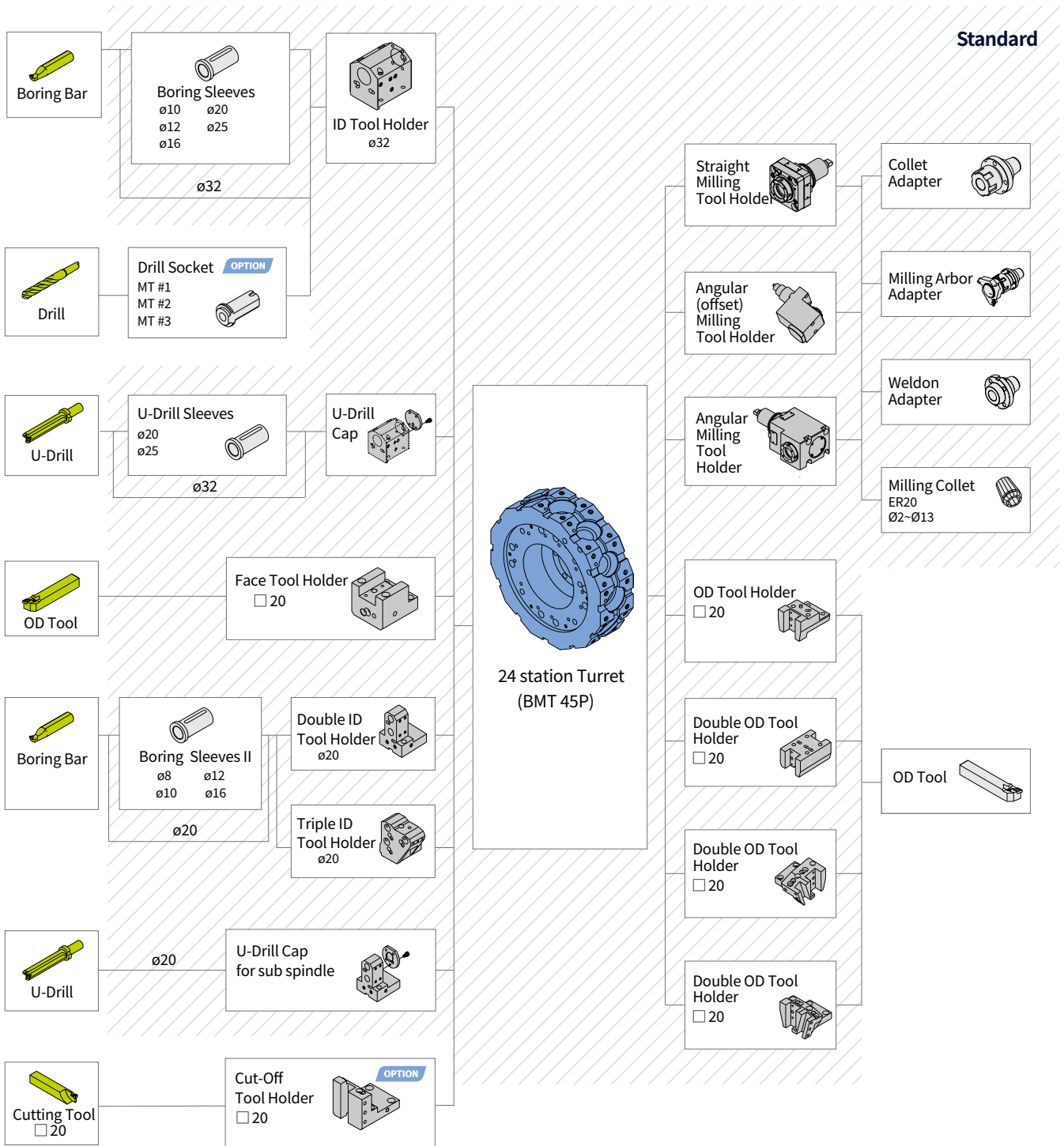
Unit : mm(inch)



TOOLING SYSTEM

Lynx 2100LMSA / LMSB / LMSC (12 station(24 Position Index), BMT45P)

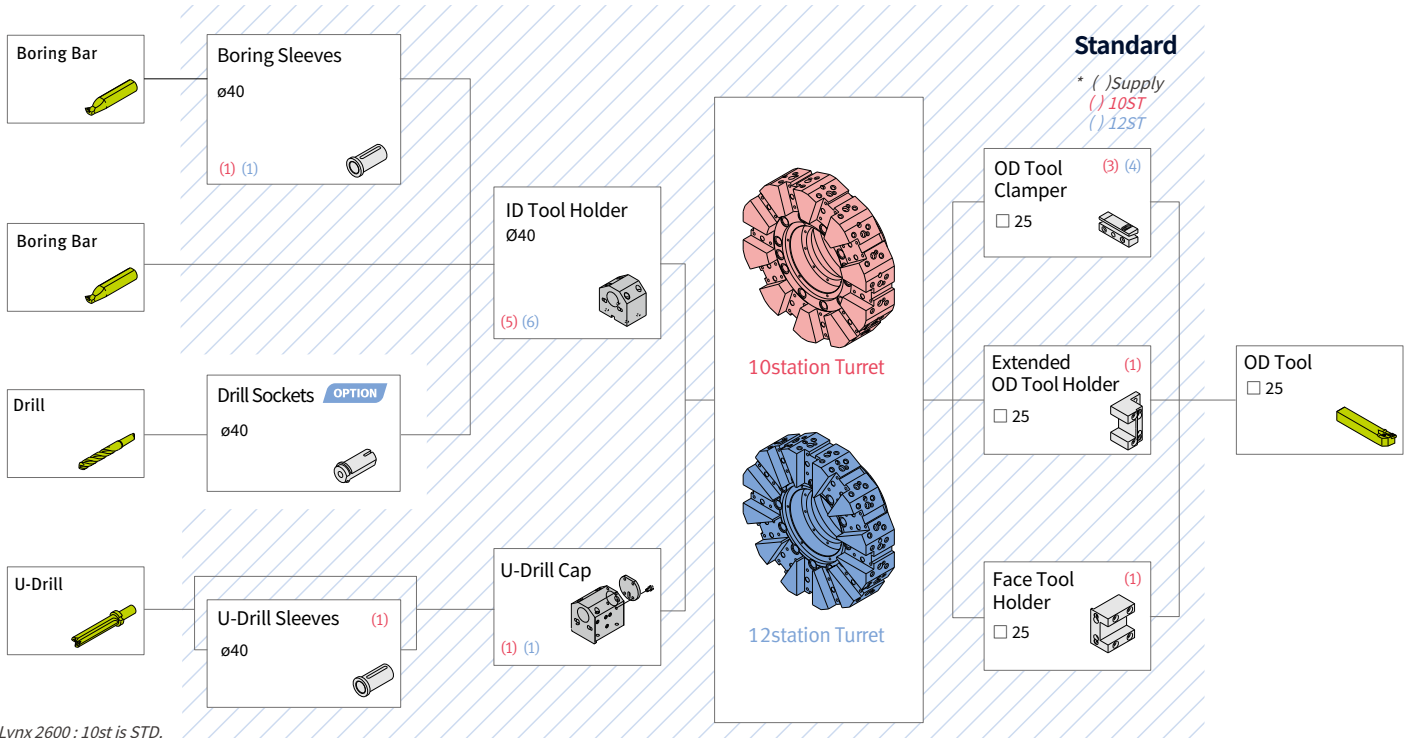
Unit : mm(inch)



TOOLING SYSTEM

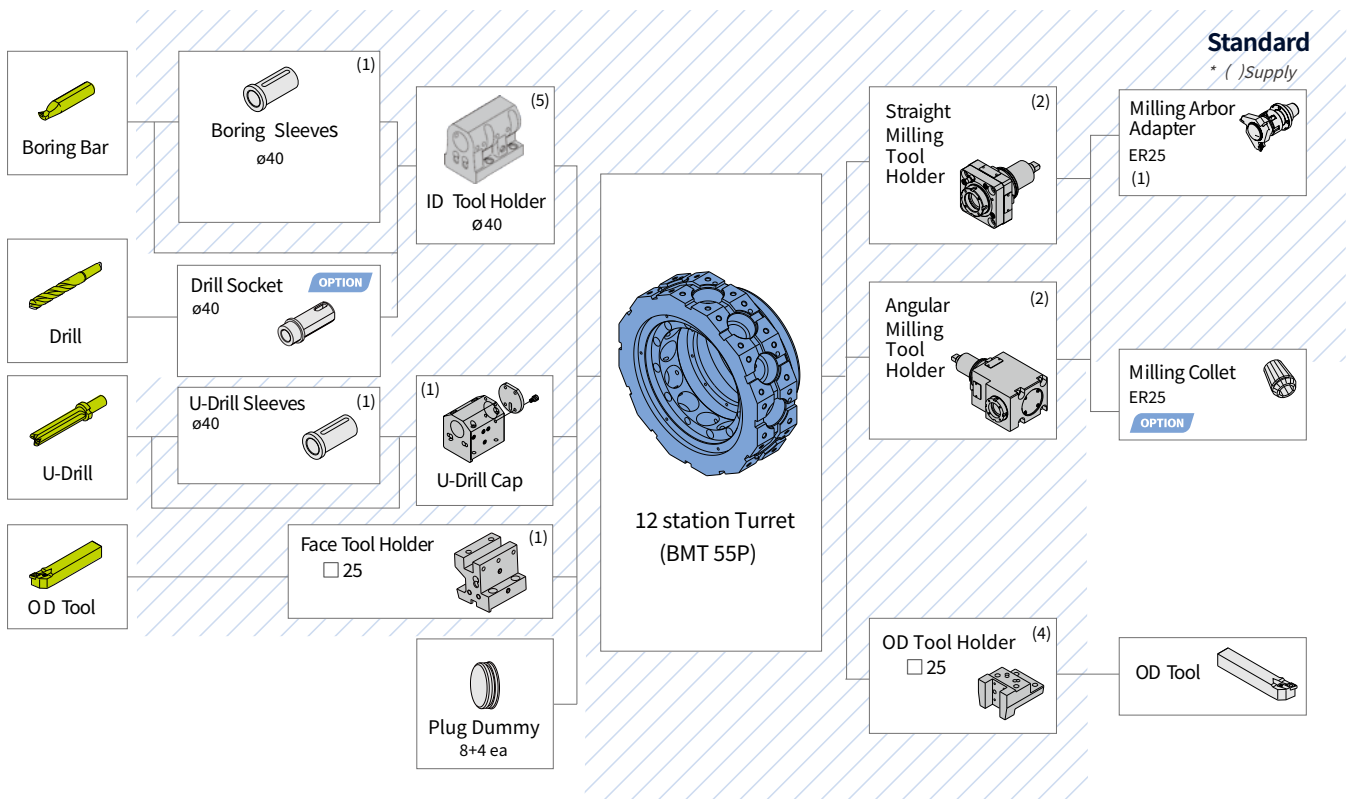
Lynx 2600

Unit : mm(inch)



* Lynx 2600 : 10st is STD.

Lynx 2600M



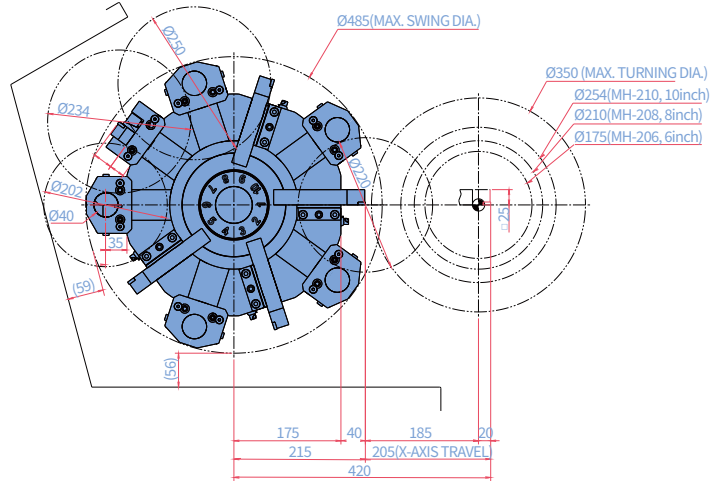
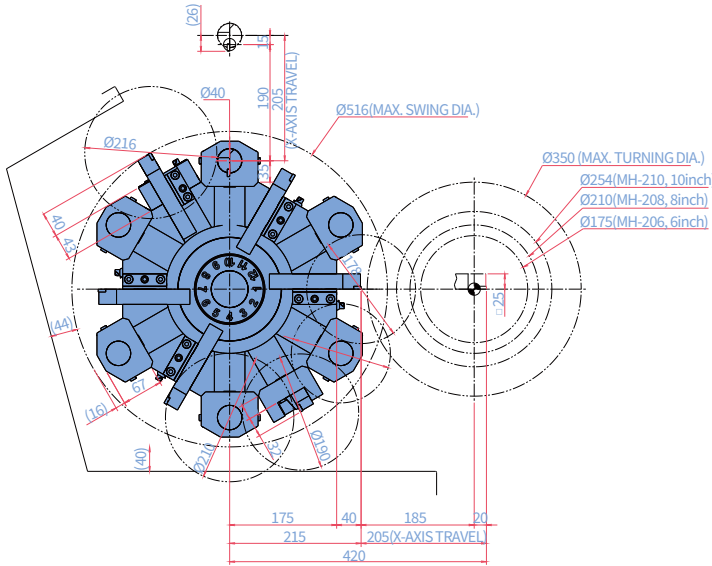
TOOL INTERFACE

Lynx 2100A / B / LA / LB / LC*

Unit : mm (inch)

12st.

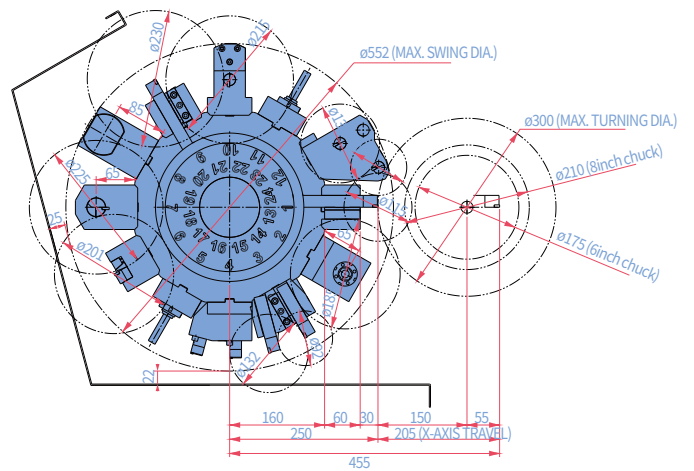
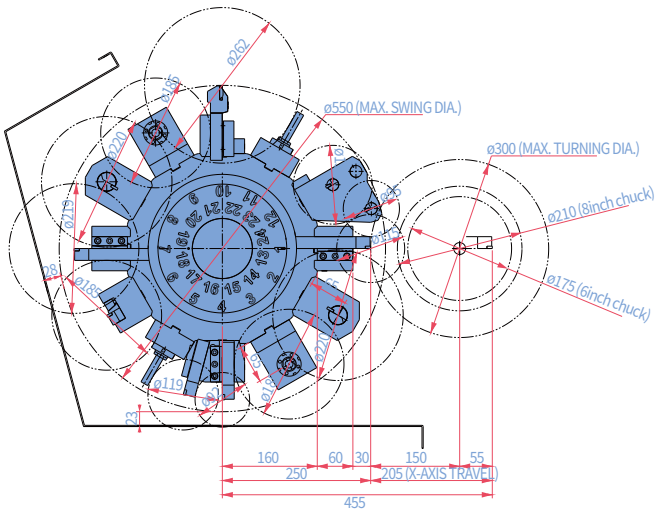
10st. **OPTION**



*Lynx 2100A / B / LA / LB / LC : 12st is STD.

Lynx 2100MA / MB / LMA / LMB / LMC

Lynx 2100LMSA / LMSB / LMSC

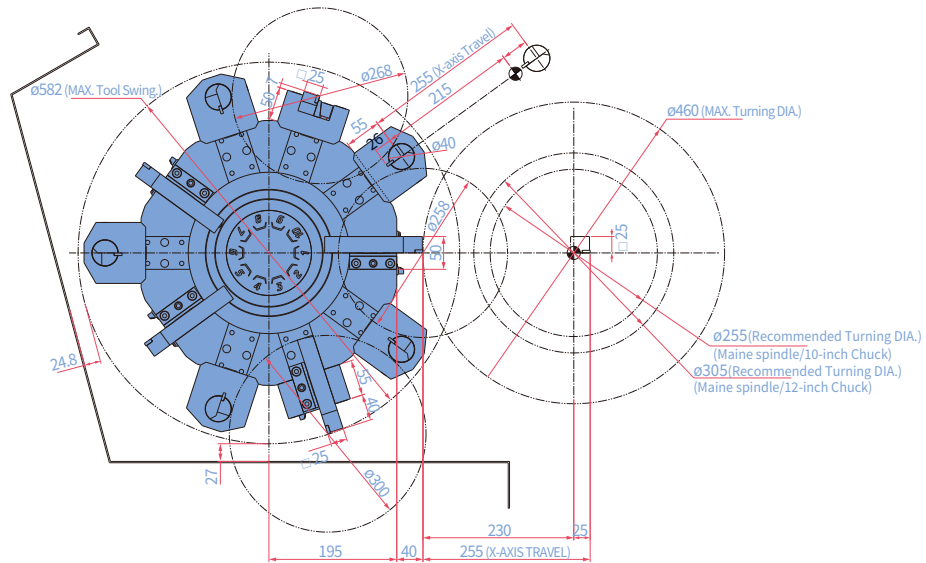


TOOL INTERFACE

Unit : mm(inch)

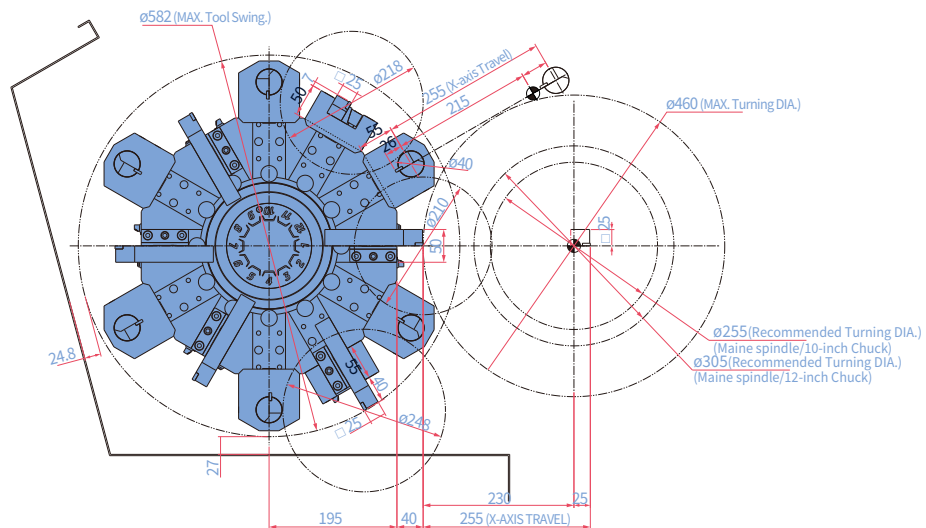
Lynx 2600

10 st.

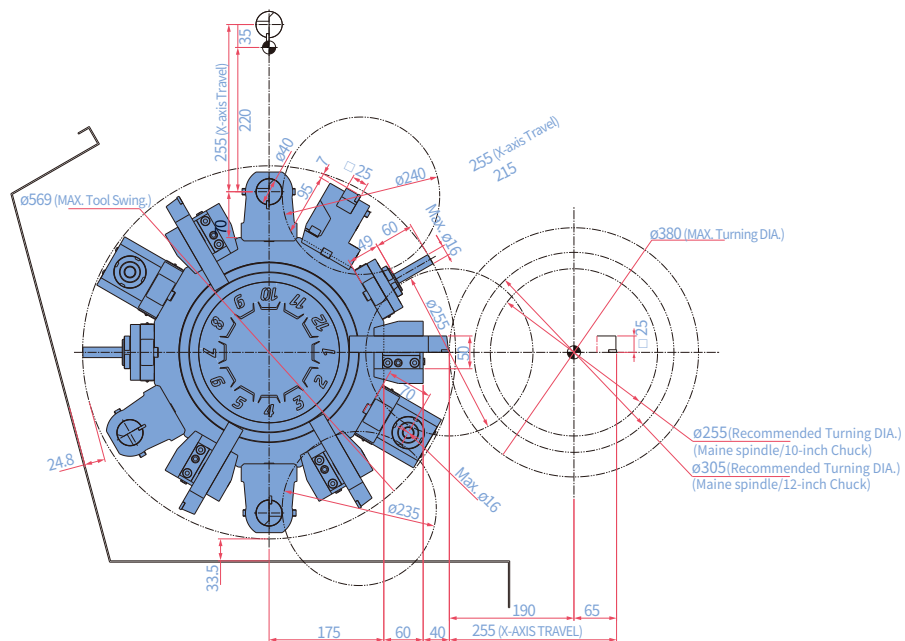


Lynx 2600

12 st. **OPTION**



Lynx 2600M



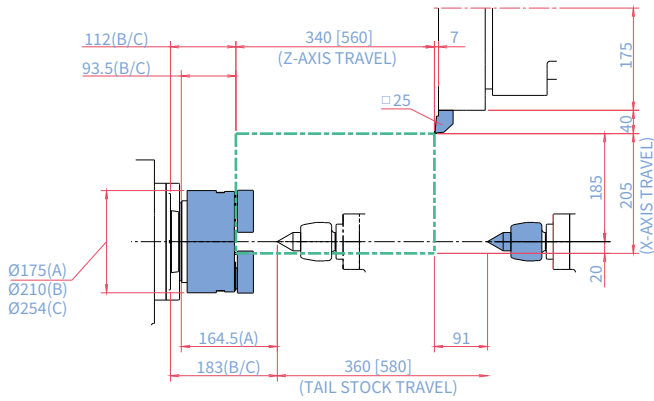
WORKING RANGE

Lynx 2100A / B [LA / LB / LC]

Unit : mm (inch)

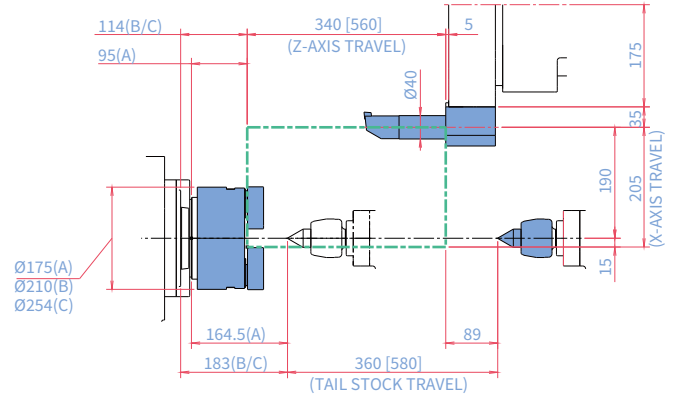
OD HOLDER

(A) : 6 inch
(B) : 8 inch
(C) : 10 inch
[] : Long bed



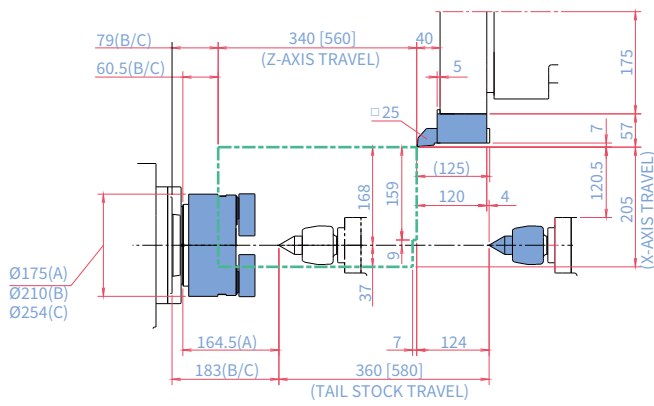
ID HOLDER

(A) : 6 inch
(B) : 8 inch
(C) : 10 inch
[] : Long bed



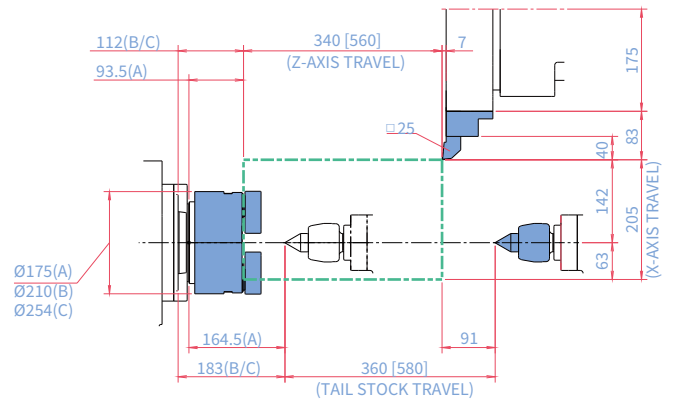
FACE TOOL HOLDER

(A) : 6 inch
(B) : 8 inch
(C) : 10 inch
[] : Long bed



EXTENDED OD HOLDER

(A) : 6 inch
(B) : 8 inch
(C) : 10 inch
[] : Long bed

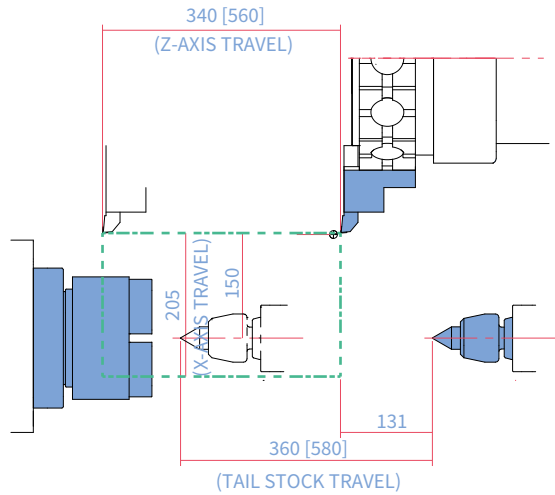


WORKING RANGE

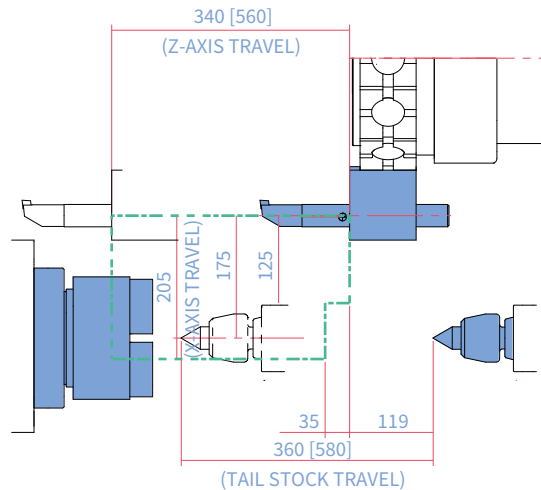
Lynx 2100MA / MB [LMA / LMB / LMC]

Unit : mm(inch)

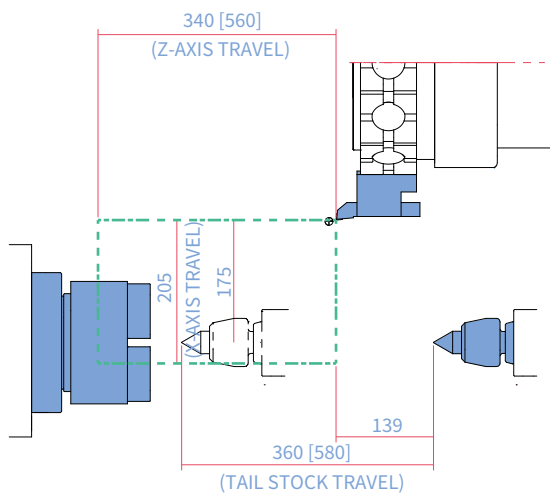
OD HOLDER



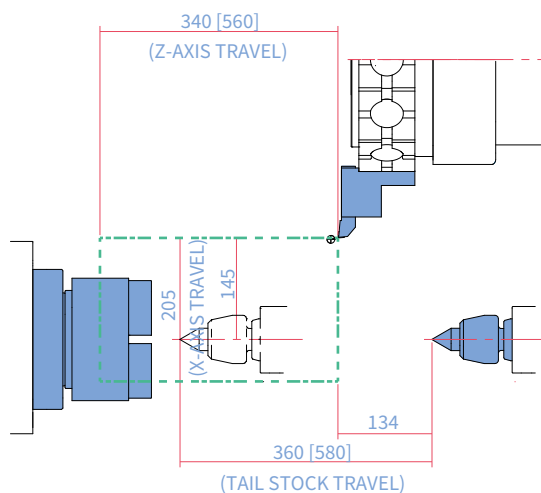
ID HOLDER



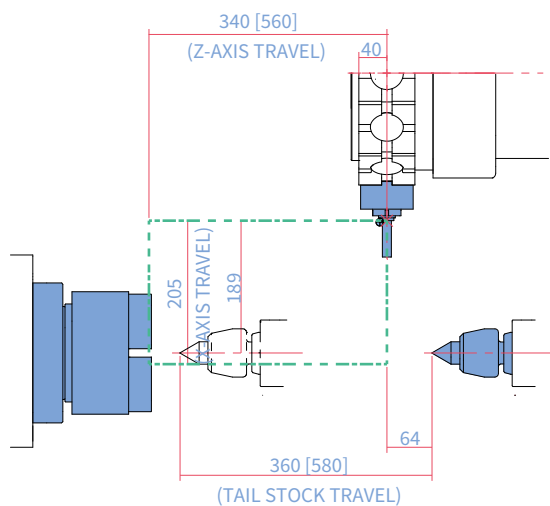
FACE TOOL HOLDER



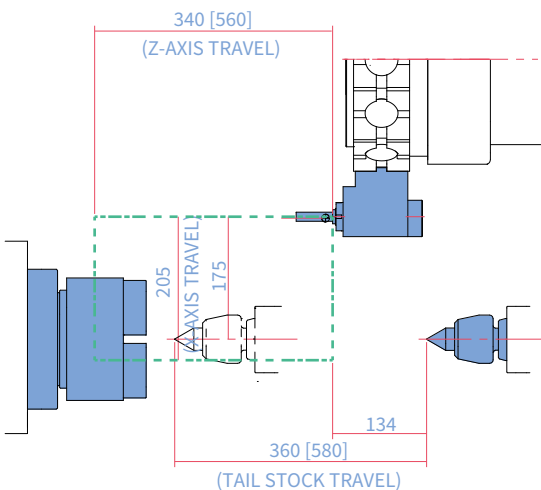
DOUBLE OD HOLDER



STRAIGHT MILLING HOLDER



ANGULAR MILLING HOLDER

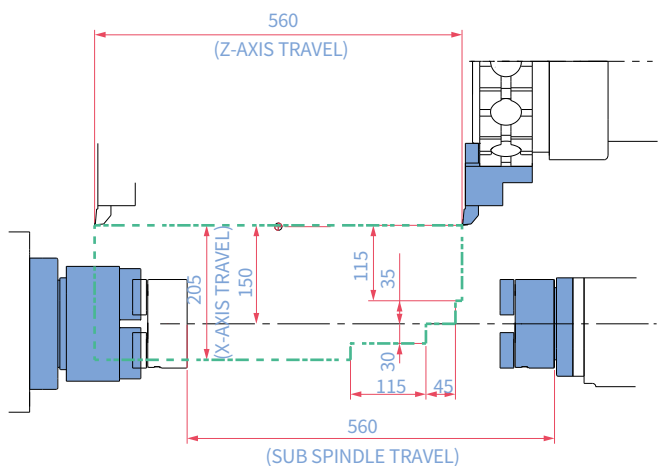


WORKING RANGE

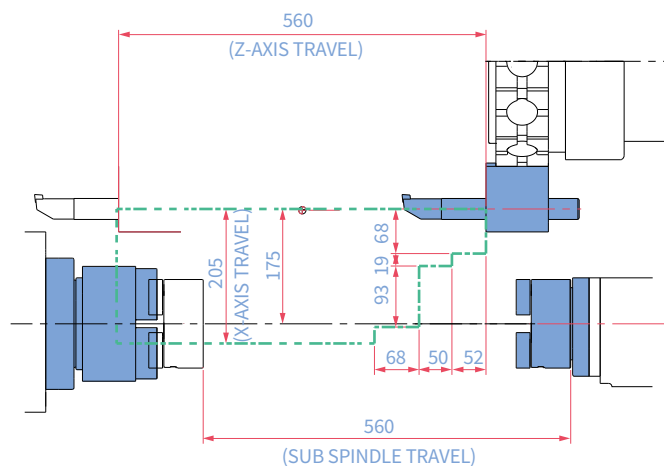
Lynx 2100LMSA / LMSB / LMSC

Unit : mm(inch)

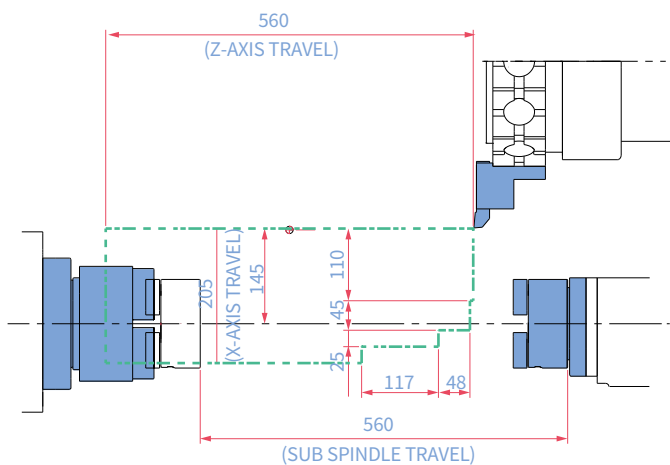
OD HOLDER



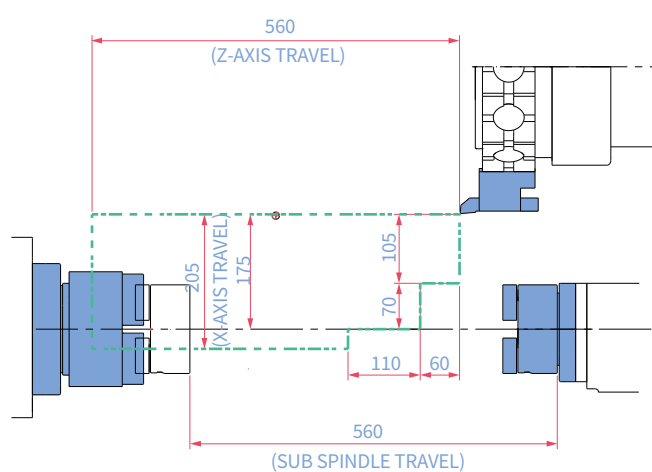
ID HOLDER



DOUBLE OD HOLDER



FACE TOOL HOLDER



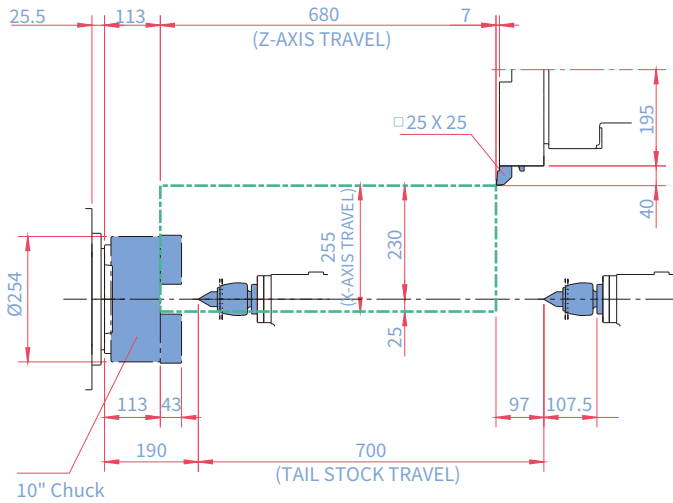
WORKING RANGE

Lynx 2600

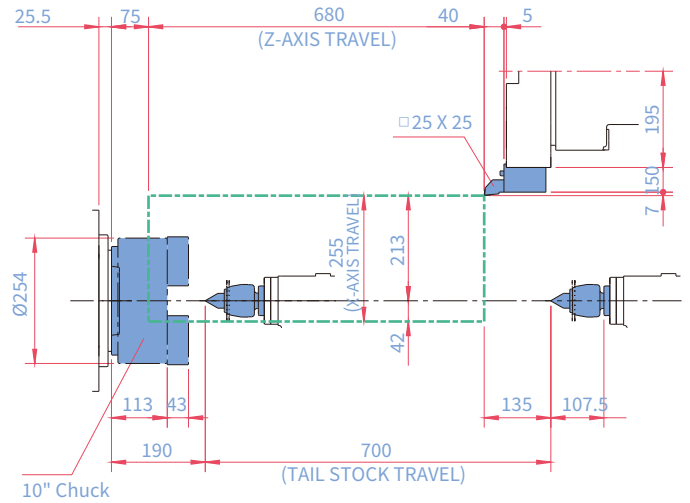
Unit : mm(inch)

TAIL STOCK (Live Center)

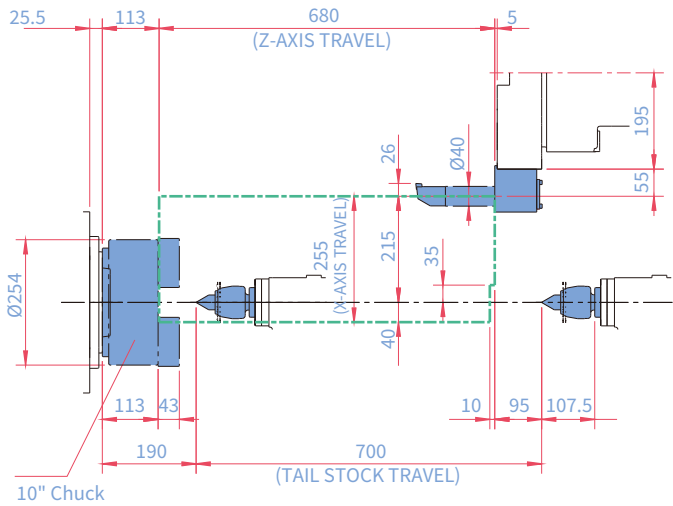
OD HOLDER



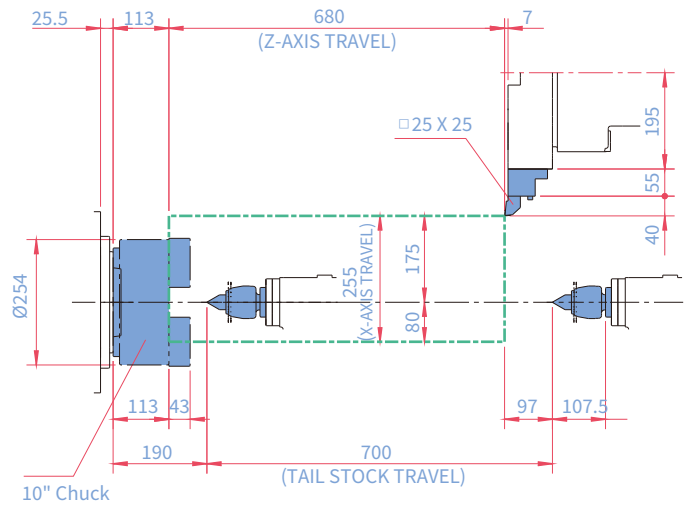
FACE HOLDER



ID HOLDER



EXTENDED OD HOLDER



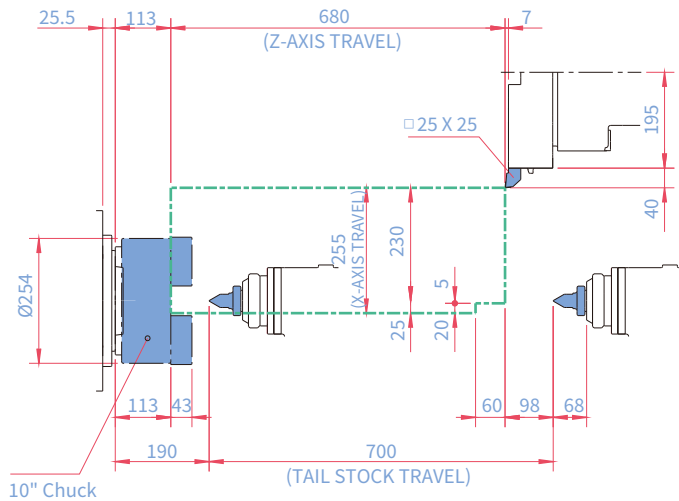
WORKING RANGE

Lynx 2600

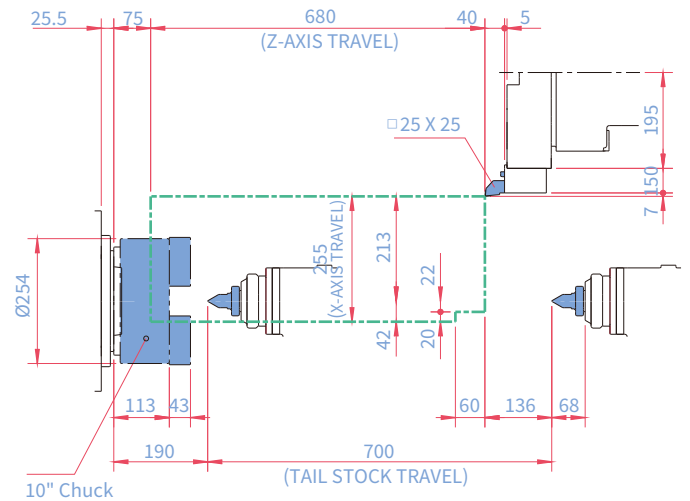
TAIL STOCK (Dead Center) OPTION

Unit : mm(inch)

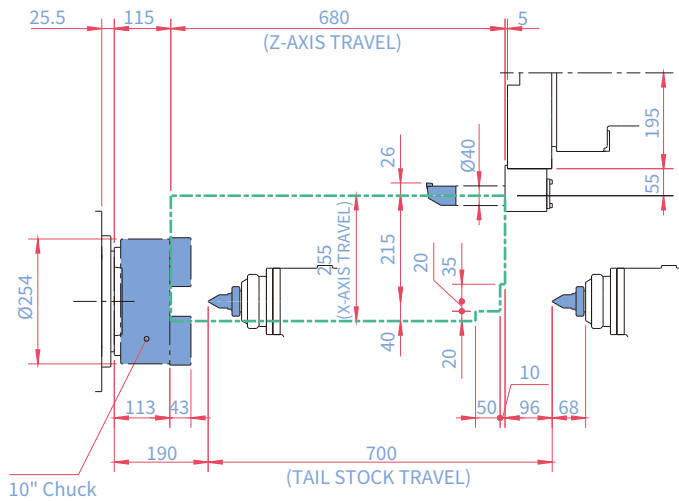
OD HOLDER



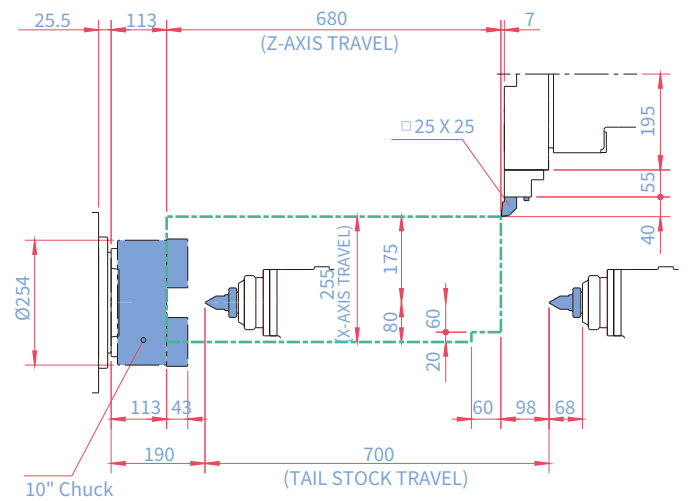
FACE HOLDER



ID HOLDER



EXTENDED OD HOLDER



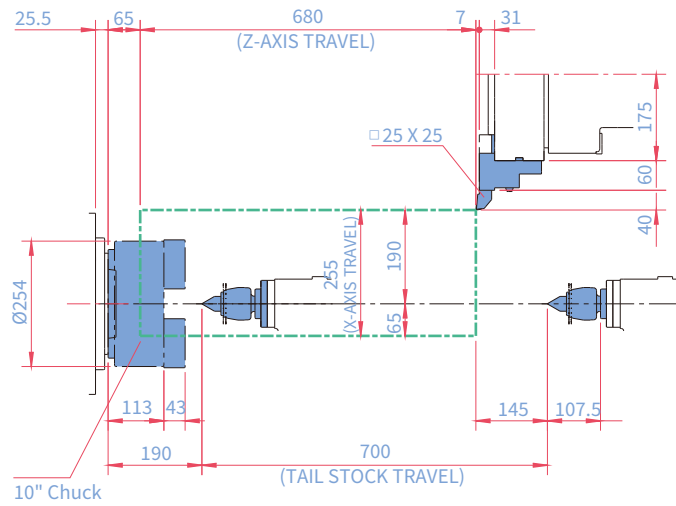
WORKING RANGE

Lynx 2600M

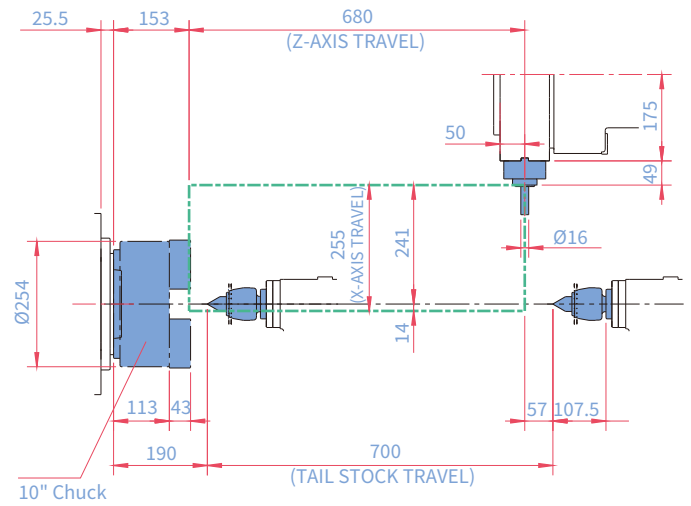
Unit : mm(inch)

TAIL STOCK (Live Center)

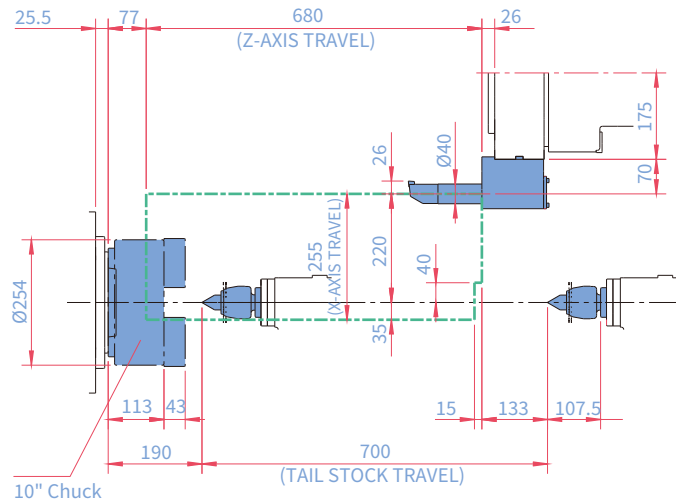
OD HOLDER



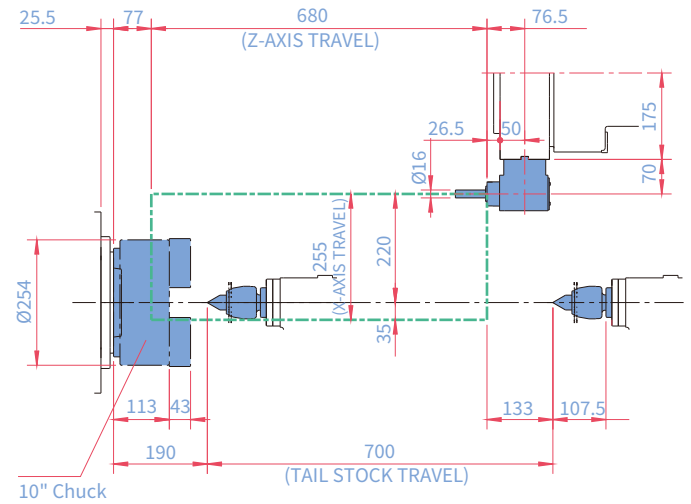
STRAIGHT MILLING HOLDER



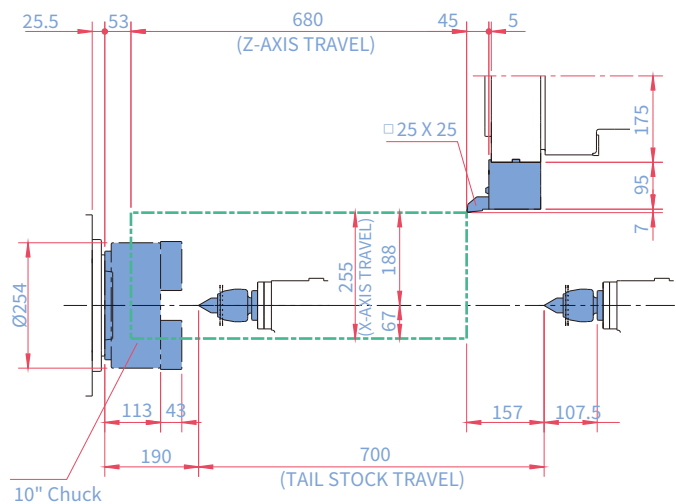
ID HOLDER



ANGULAR MILLING HOLDER



FACE TOOL HOLDER



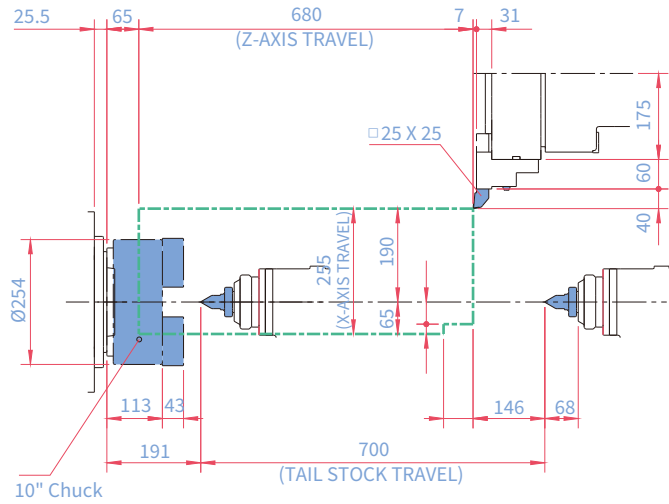
WORKING RANGE

Lynx 2600M

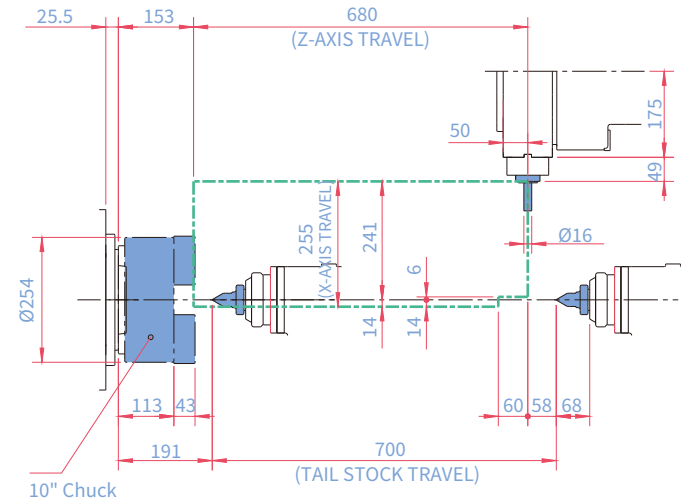
TAIL STOCK (Dead Center) OPTION

Unit : mm(inch)

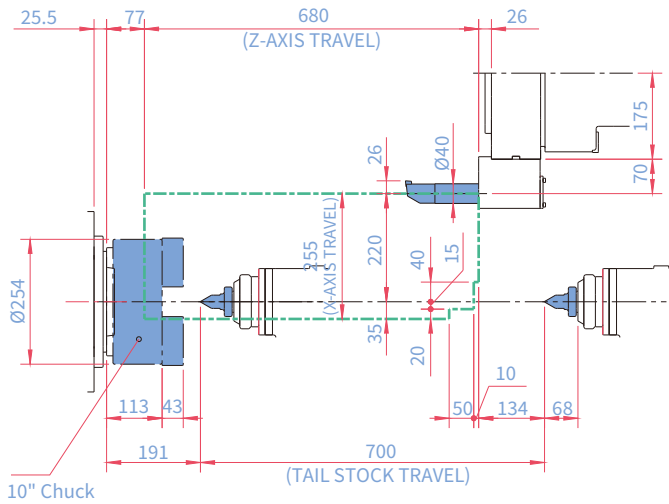
OD HOLDER



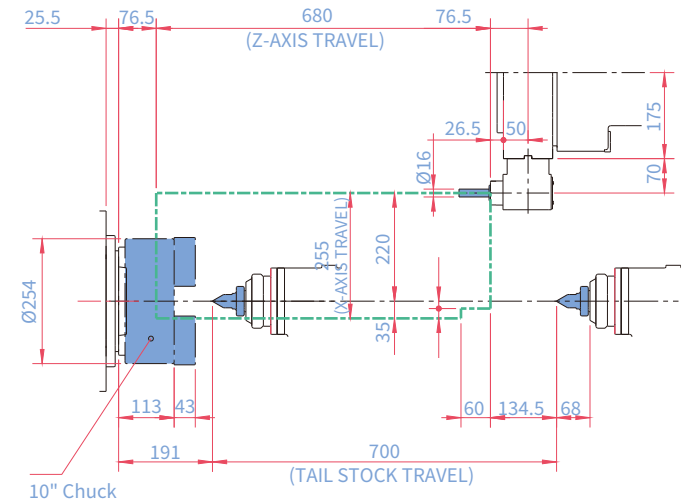
STRAIGHT MILLING HOLDER



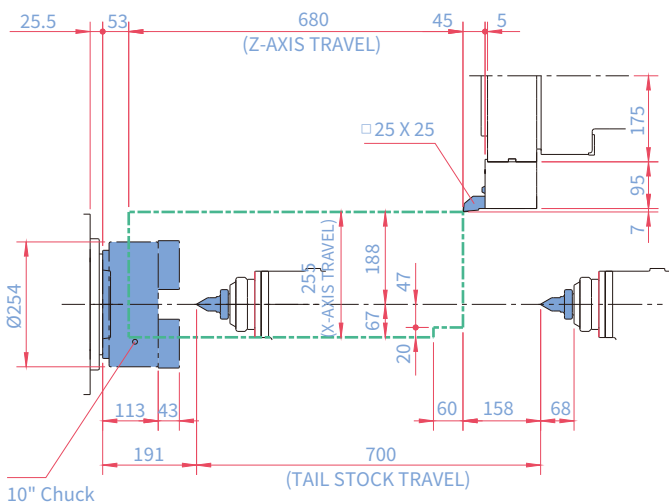
ID HOLDER



ANGULAR MILLING HOLDER



FACE TOOL HOLDER



MACHINE SPECIFICATIONS

Description		Unit	Lynx 2100A [LA]	Lynx 2100MA [LMA]	Lynx 2100LSA	Lynx 2100B [LB]	Lynx 2100MB [LMB]	Lynx 2100LSB
Capacity	Swing over bed	mm (inch)	600 (23.6)			600 (23.6)		
	Swing over saddle	mm (inch)	400 (15.7)			400 (15.7)		
	Recommended turning diameter	mm (inch)	170 (6.7)			210 (8.3)		
	Max. turning diameter	mm (inch)	350 (13.8)	300 (11.8)		350 (13.8)	300 (11.8)	
	Max. turning length	mm (inch)	330 [550] (13.0 [21.7])	290 [510] (11.4 [20.1])	510 (20.1)	330 [550] (13.0 [21.7])	290 [510] (11.4 [20.1])	510 (20.1)
	Chuck size	inch	6 {8}*			8 {10}*	8 {10}*	
	Bar working diameter	mm (inch)	51 (2.0)			65 (2.6)		
Travel	Travel distance	X-axis	205 (8.1)			205 (8.1)		
		Z-axis	340 [560] (13.4 [22.0])		560	340 [560] (13.4 [22.0])		560 (22.0)
Feedrate	Rapid traverse	X-axis	30 (1181.1)			30 (1181.1)		
		Z-axis	36 (1417.3)			36 (1417.3)		
Spindle	Spindle speed	r/min	6000			4500		
	Spindle motor power (15min/Cont.)	kW (Hp)	15/11 (20.1/14.8)			15/11 (20.1/14.8)		
	Max. spindle torque	N·m (ft·lbs)	127 (93.7)			169 (124.6)		
	Spindel nose	ASA	A2-5			A2-6		
	Spindle bearing diameter	mm (inch)	90 (3.5)			110 (4.3)		
	Spindle inner diameter	mm (inch)	61 (2.4)			76 (3.0)		
	C-axis min.indexing angle	deg	-	0.001		-	0.001	
Turret	No. of tool stations	ea	12{10}	12		12{10}	12	
	OD tool size	mm (inch)	□25 x 25 (1.0 x 1.0)	□20 x 20 (0.8 x 0.8)		□25 x 25 (1.0 x 1.0)	□20 x 20 (0.8 x 0.8)	
	Max.ID tool size	mm (inch)	Ø40 (Ø1.6)	Ø32 (Ø1.3)		Ø40 (Ø1.6)	Ø32 (Ø1.3)	
	Turret indexing time	s	0.11 {0.15}*	0.11		0.11 {0.15}*	0.11	
	Max.rotary tool speed	r/min	-	6000 {10000}*		-	6000 {10000}*	
	Ratary tool motor power (FANUC)	kW (Hp)	-	3.7 (5.0)		-	3.7 (5.0)	
Tail stock	Rotary tool motor power (SIEMENS)	kW (Hp)	360 [580] (14.1 [22.8])		-	360 [580] (14.1 [22.8])		-
	Quill taper	MT	MT#4 (Live)		-	MT#4 (Live)		-
Sub spindle	Spindle speed		-	-	6000	-	-	6000
	Spindle motor power (15min/cont.) (FANUC)	kW (Hp)	-	-	5.5/3.7 (7.4/5.0)	-	-	5.5/3.7 (7.4/5.0)
	Max. spindle torque	N·m (ft·lbs)	-	-	47 (34.7)	-	-	47 (34.7)
	Spindel nose		-	-	Flat ø110	-	-	Flat ø110
	Spindle bearing diameter	mm (inch)	-	-	75	-	-	75
	Spindle inner diameter	mm (inch)	-	-	43 (1.7)	-	-	43 (1.7)
	C-axis min.indexing angle	deg	-	-	0.001	-	-	0.001
Power source	Power consumption	kVA	24.21	24.21	30.07	24.21	24.21	30.07
Machine dimensions	Length	mm (inch)	2320 [2540] (91.3 [100.0])	2320 [2540] (91.3 [100.0])	2805 (110.4)	2350 [2570] (92.5 [101.2])		2835 (111.6)
	Width	mm (inch)	1595 (62.8)			1595 (62.8)		
	Height	mm (inch)	1693 (66.7)			1693 (66.7)		
	Weight	kg (lb)	3100 [3400] (6834.2 [7495.6])	3170 [3480] (6988.6 [7672.0])	3600 (7936.5)	3100 [3400] (6834.2 [7495.6])	3170 [3480] (6988.6 [7672.0])	3500 (7716.1)
Control	NC system	DN Solutions Fanuc i Plus , SIEMENS S828D			DN Solutions Fanuc i Plus , SIEMENS S828D			

*{}: Option

MACHINE SPECIFICATIONS

Description		Unit	Lynx 2100LC	Lynx 2100LMC	Lynx 2100LMSC	Lynx 2600	Lynx 2600M
Capacity	Swing over bed	mm (inch)	600 (23.6)			630 (24.8)	
	Swing over saddle	mm (inch)	400 (15.7)			460 (18.1)	
	Recommended turning diameter	mm (inch)	255 (10.0)			255 (10.0)	
	Max. turning diameter	mm (inch)	350 (13.8)	300 (11.8)		460 (18.1)	380 (15.0)
	Max. turning length	mm (inch)	537 (21.1)	497 (19.6)		658 (25.9)	610 (24.0)
	Chuck size	inch	10			10	
	Bar working diameter	mm (inch)	81 (3.2)			81 (3.2)	
Travel	Travel distance	X-axis	mm (inch)	205 (8.1)		255 (10.0)	
		Z-axis	mm (inch)	560 (22.0)		680 (26.8)	
Feedrate	Rapid traverse	X-axis	m/min (ipm)	30 (1181.1)		30 (1181.1)	
		Z-axis	m/min (ipm)	36 (1417.3)		30 (1181.1)	
Spindle	Spindle speed	r/min	3500			3500	
	Spindle motor power (15min/Cont.)	kW (Hp)	18.5/15 (24.8/20.1)			18.5/15 (24.8/20.1)	
	Max. spindle torque	N·m (ft·lbs)	269 (198.5)			403 (297.4)	
	Spindel nose	ASA	A2-8			A2-8	
	Spindle bearing diameter	mm (inch)	130 (5.1)			130 (5.1)	
	Spindle inner diameter	mm (inch)	91 (3.6)			91 (3.6)	
	C-axis min.indexing angle	deg	-	0.001		-	0.001
Turret	No.of tool stations	ea	12{10}	12		10{12}	12
	OD tool size	mm (inch)	□25 x 25 (1.0 x 1.0)	□20 x 20 (0.8 x 0.8)		□25 x 25 (1.0 x 1.0)	□25 x 25 (1.0 x 1.0)
	Max.ID tool size	mm (inch)	Ø40 (Ø1.6)	Ø32 (Ø1.3)		Ø40 (Ø1.6)	Ø32 (Ø1.3)
	Turret indexing time	s	0.15	0.11		0.15	0.15
	Max.rotary tool speed	r/min	-	6000 {10000}*		-	6000 {10000}*
	Ratary tool motor power (FANUC)	kW (Hp)	-	3.7 (5.0)		-	5.5 (7.4)
Tail stock	Rotary tool motor power (SIEMENS)	kW (Hp)	580 (22.8)		-	700 (938.7)	
	Quill taper	MT	MT#4 (Live)		-	MT#4(Live) {MT#4(Dead)}	
Sub spindle	Spindle speed		-	-	6000	-	-
	Spindle motor power (15min/cont.) (FANUC)	kW (Hp)	-	-	5.5/3.7 (7.4/5.0)	-	-
	Max. spindle torque	N·m (ft·lbs)	-	-	47 (34.7)	-	-
	Spindel nose		-	-	Flat Ø110	-	-
	Spindle bearing diameter	mm (inch)	-	-	75 (3.0)	-	-
	Spindle inner diameter	mm (inch)	-	-	43 (1.7)	-	-
	C-axis min.indexing angle	deg	-	-	0.001	-	-
Power source	Power consumption	kVA	32.46	32.46	34.49	28.19	28.34
Machine dimensions	Length	mm (inch)	2570 (101.2)	2570 (101.2)	2837 (111.7)	3290 (129.5)	
	Width	mm (inch)	1602 (63.1)			1778 (70.0)	
	Height	mm (inch)	1693 (66.7)			1790 (70.5)	
	Weight	kg (lb)	3450 (7605.8)	3500 (7716.1)	4100 (9038.8)	4750 (10471.8)	4800 (10582.0)
Control	NC system	DN Solutions Fanuc i Plus , SIEMENS S828D			DN Solutions Fanuc i Plus , SIEMENS S828D		

*{}: Option

The DN Solutions promise, MACHINE GREATNESS, has two important meanings. The first is simple: DN Solutions makes great machines. The second is a challenge to our end-users. With a product line that is this comprehensive, accurate and reliable, we equip our customers to machine greatness. The big question: **Why should you choose DN Solutions over other options?**

Here's why...



**MACHINE
GREATNESS™**



WHAT YOU MAKE AND HOW YOU MAKE IT MATTERS—SO MAKE IT
GREAT WITH DN SOLUTIONS.

UNBEATABLE MACHINES

You won't find a more comprehensive range or a better combination of value, performance and reliability anywhere else.

READILY AVAILABLE - ANYWHERE IN THE WORLD

Machining centres (including 5-axis machines), lathes, multi-tasking turning centres and mill-turn machines, and horizontal borers with best-in-class specifications are all available...ready to install.

ROBUST PRODUCT LINE

We offer an impressive range of machine models and hundreds of configurations. Whatever your machining needs and requirements, there's a DN Solutions for you.

EXPERT SERVICE

Our dedicated, experienced and knowledgeable team is totally committed to improving your productivity, growth and success.

RESPONDING TO CUSTOMERS ANYTIME, ANYWHERE

DN Solutions Global Network

DN Solutions provides systems-based professional support services, before and after the machine tool sale, by responding quickly and efficiently to customers. By supplying spare parts, product training, field service and technical support, we provide the expert care, attention and assistance our customers expect from a market leader.

Global sales and service support network		51	Technical centers Technical center, Sales support, Service support, Parts support
4	Corporations	200	Service posts
156	Dealer networks	3	Factories



CUSTOMER SUPPORT AND SERVICES

We' re there for you whenever you need us.

We help our customers operate at maximum efficiency by providing them with a range of tried, tested and trusted services - from pre-sales consultancy to post-sales support.



Field services

- On-site service
- Machine installation and testing
- Scheduled preventive maintenance
- Machine repair service



Parts supply

- Supplying a wide range of original DN Solutions spare parts
- Parts repair service



Training

- Programming, machine setup and operation
- Electrical and mechanical maintenance
- Applications engineering



Technical support

- Supports machining methods and technology
- Responds to technical queries
- Provides technical consultancy



dn-solutions.com

Head Office

22F T Tower, 30, Sowol-ro 2-gil
Jung-gu, Seoul, Korea, 04637

Tel: +82-2-6972-0370/0350
Fax: +82-2-6972-0400

DN Solutions America

19A Chapin Road, Pine Brook
New Jersey 07058, United States

Tel: +1-973-618-2500
Fax: +1-973-618-2501

DN Solutions Europe

Emdener Strasse 24, D-41540
Dormagen, Germany

Tel: +49-2133-5067-100
Fax: +49-2133-5067-111

DN Solutions India

No.82, Jakkuar Village
Yelahanka Hobli, Bangalore-560064

Tel: + 91-80-2205-6900
E-mail: india@dncompany.com

DN Solutions China

Room 101,201,301, Building 39 Xinzhuan
Highway No.258 Songjiang District
China Shanghai (201612)

Tel: +86 21-5445-1155
Fax: +86 21-6405-1472

Sales inquiry

sales@dncompany.com

* For more details, please contact DN Solutions.

* Specifications and information contained within this catalogue may be changed without prior notice.